

Product Details  
2009



## Series 103 Curtain Wall Elevation 3-Element

Capped Interior Glazed Curtain Wall

01 Key

## Series 103 Curtain Wall Detail 3-Element

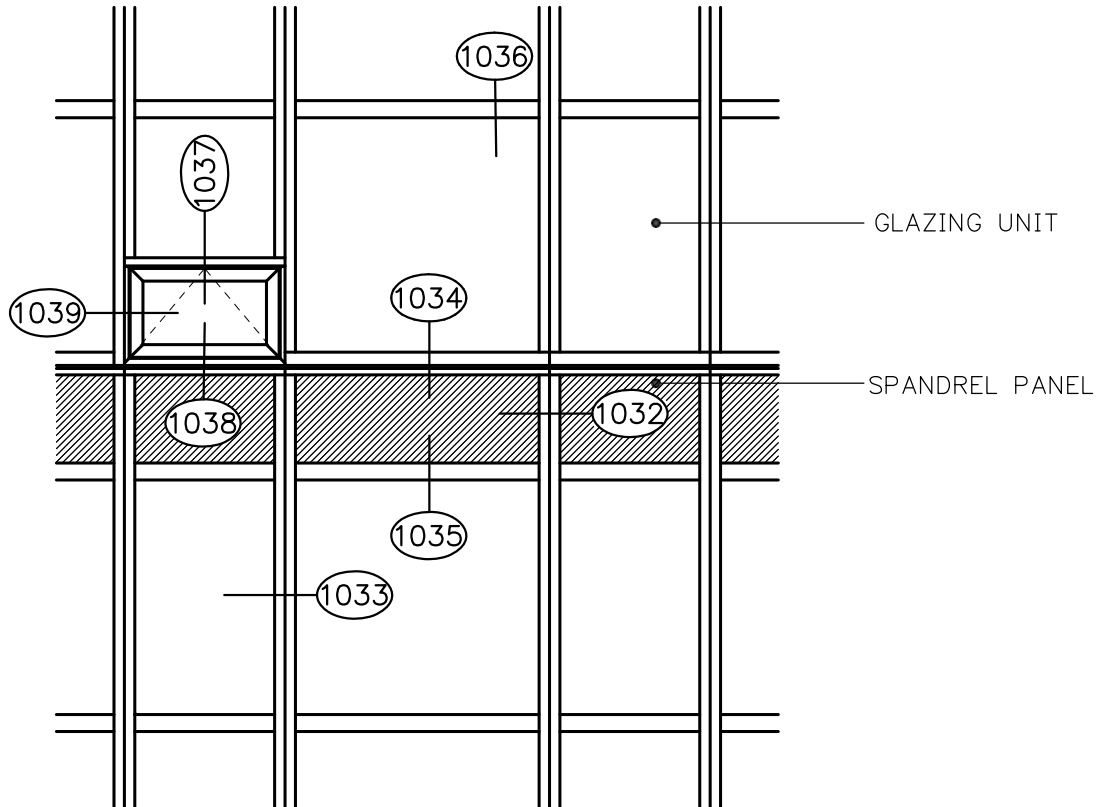
Capped Interior Glazed Curtain Wall

02 Split Vertical Mullion At Spandrel  
03 Split Vertical Mullion At Vision Units  
04 Expansion Joint, Vision Over Spandrel  
05 Intermediate Rail, Spandrel Over Vision  
06 Horizontal Rail At Vision  
07 Horizontal Rail With Sash, Outward  
Opening  
08 Expansion Joint With Sash, Outward  
Opening  
09 Split Vertical Mullion With Sash,  
Outward Opening

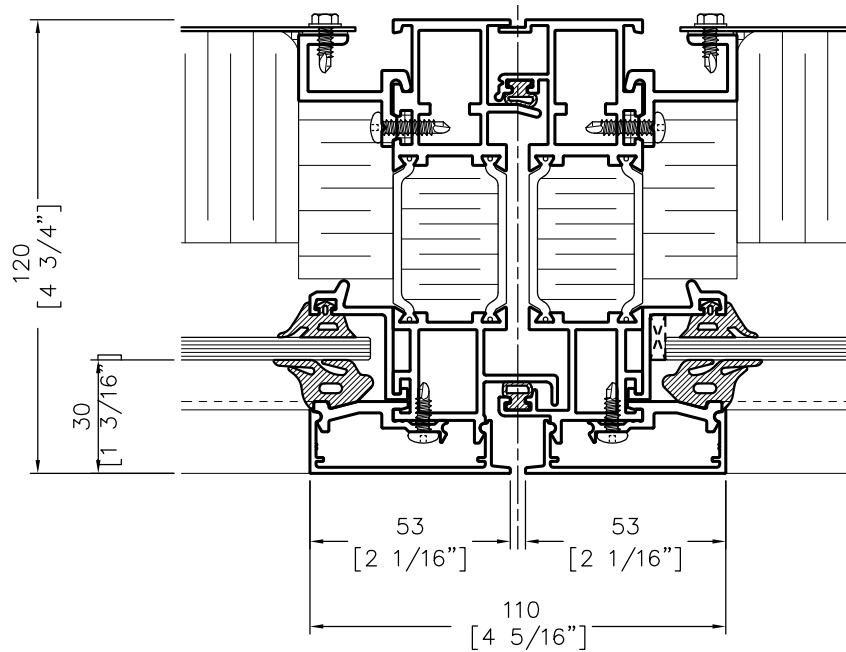


VISIONWALL

17915-118 Avenue  
Edmonton, Alberta  
Canada T5S 1L6  
tel / 780.451.4000  
fax / 780.451.4745  
visionwall.com

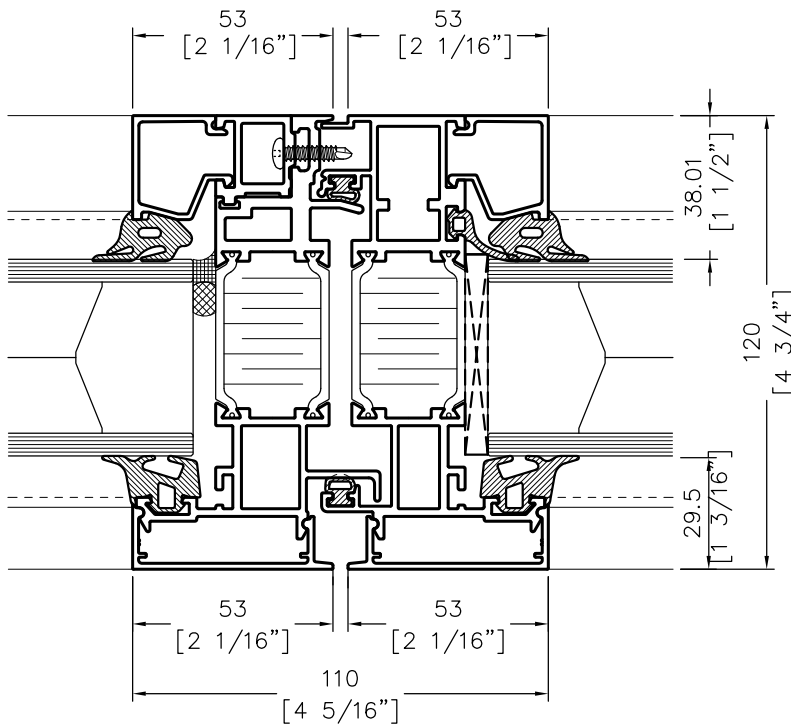






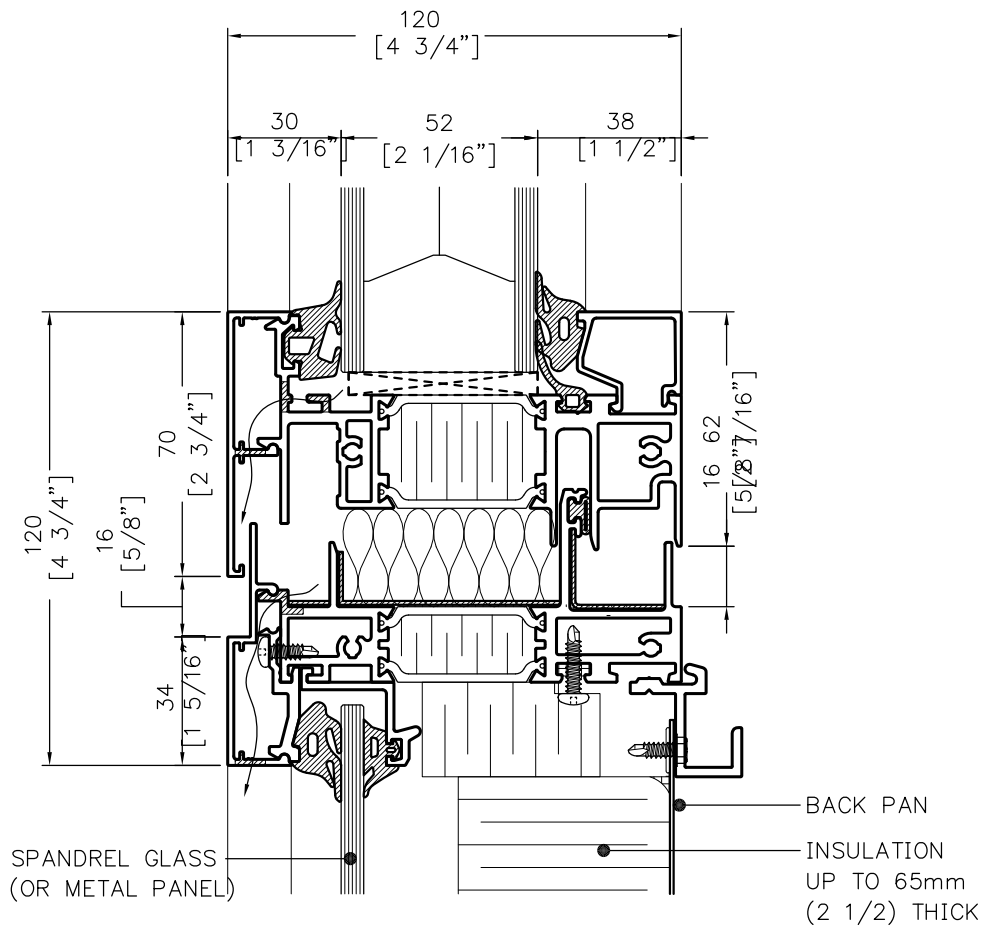
17915-118 Avenue  
 Edmonton, Alberta  
 Canada T5S 1L6  
 tel / 780.451.4000  
 fax / 780.451.4745  
 visionwall.com

**Series 103 Curtain Wall Detail**  
 3-Element | Capped Interior Glazed Curtain Wall  
 Split Vertical Mullion At Spandrel  
 DWG / 1032  
 date / 2009  
 scale / 1=2



17915-118 Avenue  
 Edmonton, Alberta  
 Canada T5S 1L6  
 tel / 780.451.4000  
 fax / 780.451.4745  
 visionwall.com

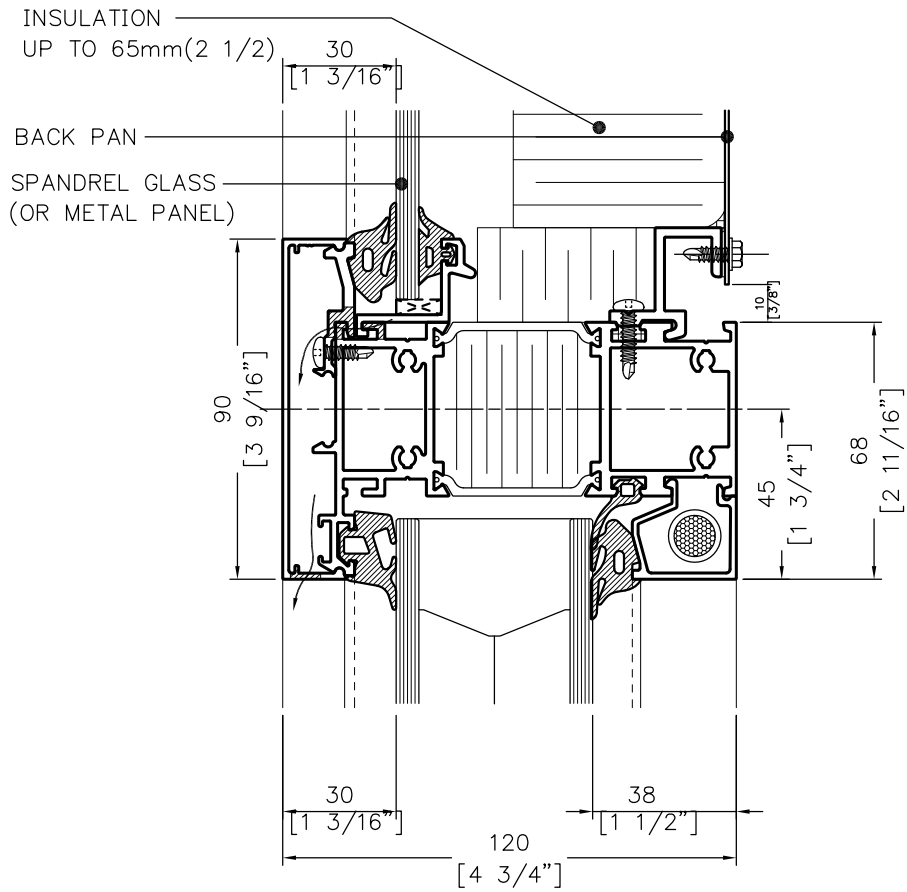
**Series 103 Curtain Wall Detail**  
 3-Element | Capped Interior Glazed Curtain Wall  
 Split Vertical Mullion At Vision Units  
 DWG / 1033  
 date / 2009  
 scale / 1=2



17915-118 Avenue  
 Edmonton, Alberta  
 Canada T5S 1L6  
 tel / 780.451.4000  
 fax / 780.451.4745  
 visionwall.com

Series 103 Curtain Wall Detail  
 3-Element | Capped Interior Glazed Curtain Wall  
 Expansion Joint, Vision Over Spandrel

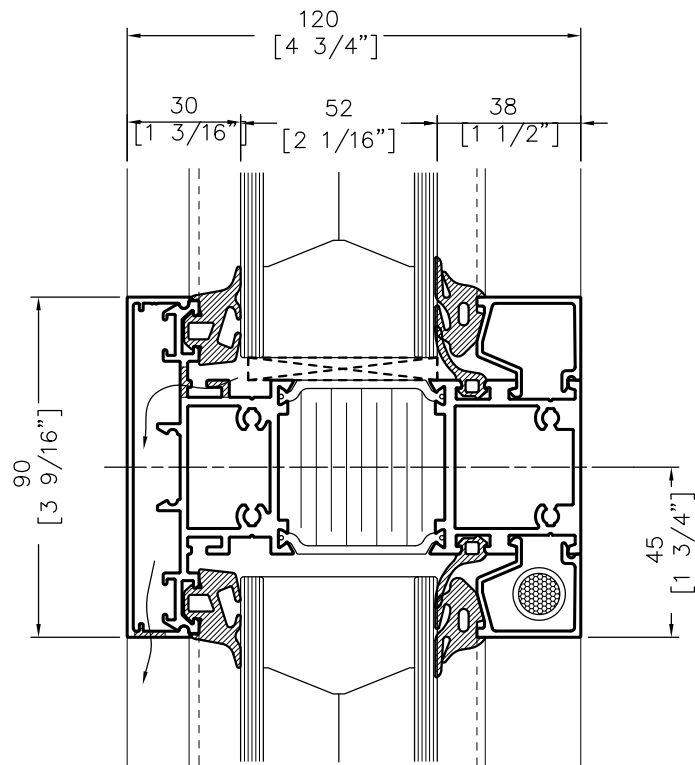
DWG / 1034  
 date / 2009  
 scale / 1=2



17915-118 Avenue  
 Edmonton, Alberta  
 Canada T5S 1L6  
 tel / 780.451.4000  
 fax / 780.451.4745  
 visionwall.com

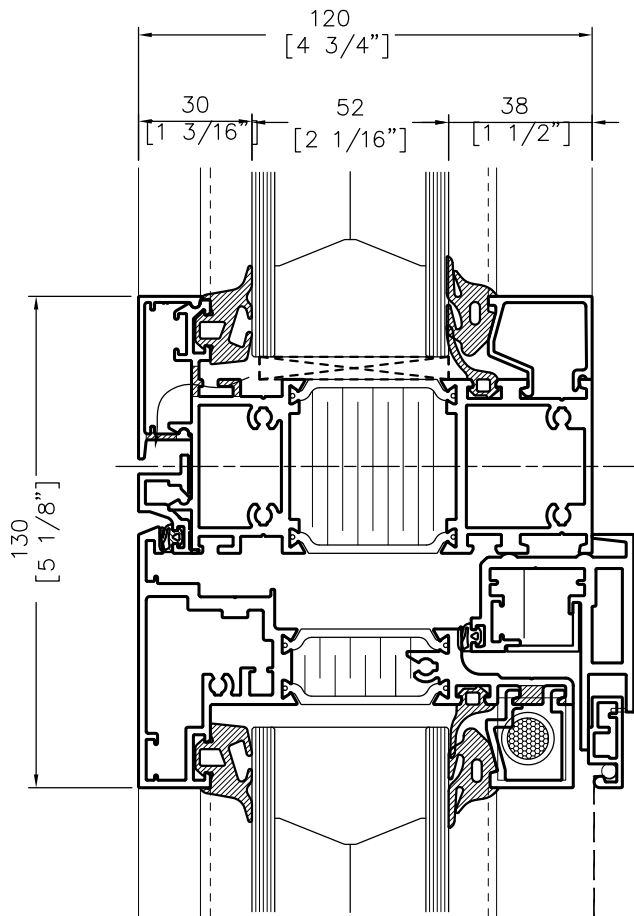
**Series 103 Curtain Wall Detail**  
 3-Element | Capped Interior Glazed Curtain Wall  
 Intermediate Rail, Spandrel Over Vision

DWG / 1035  
 date / 2009  
 scale / 1=2



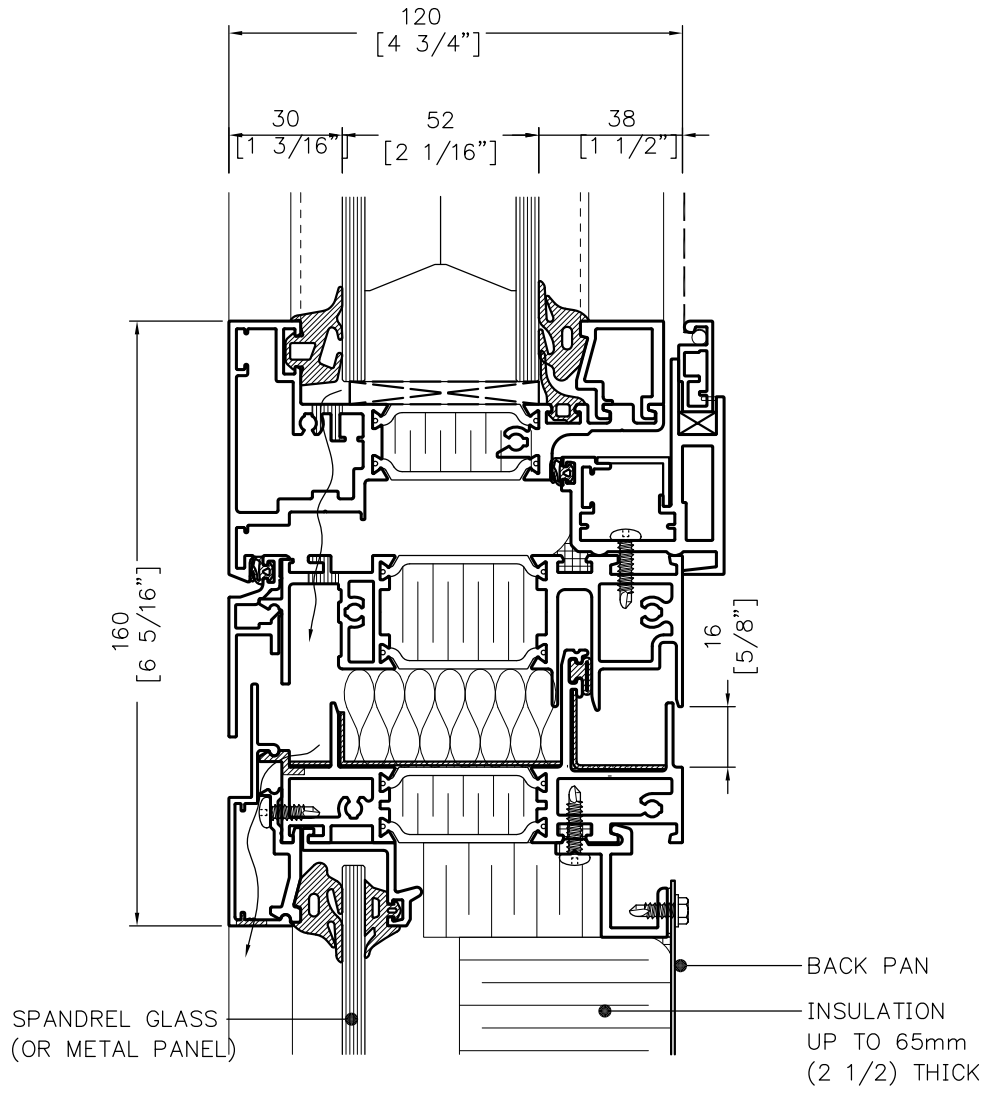
17915-118 Avenue  
 Edmonton, Alberta  
 Canada T5S 1L6  
 tel / 780.451.4000  
 fax / 780.451.4745  
 visionwall.com

**Series 103 Curtain Wall Detail**  
 3-Element | Capped Interior Glazed Curtain Wall  
 Horizontal Rail At Vision  
 DWG / 1036  
 date / 2009  
 scale / 1=2



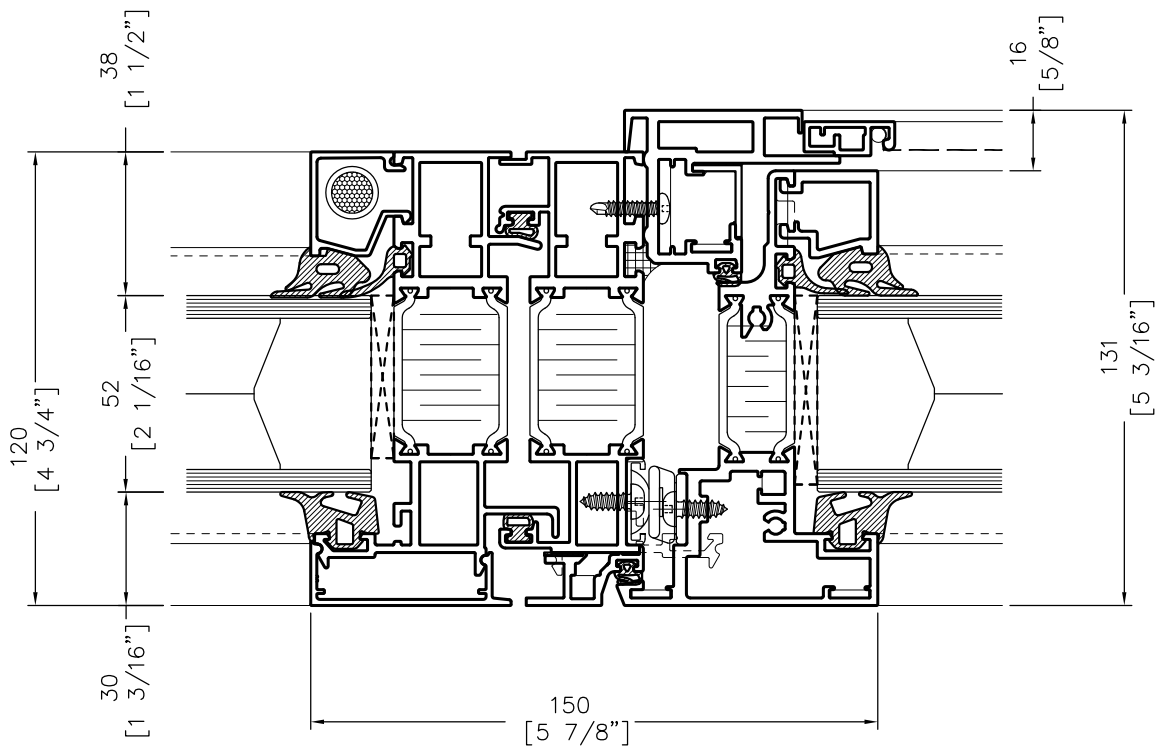
17915-118 Avenue  
 Edmonton, Alberta  
 Canada T5S 1L6  
 tel / 780.451.4000  
 fax / 780.451.4745  
 visionwall.com

**Series 103 Curtain Wall Detail**  
 3-Element | Capped Interior Glazed Curtain Wall  
 Horizontal Rail With Sash, Outward Opening  
 DWG / 1037  
 date / 2009  
 scale / 1=2



17915-118 Avenue  
 Edmonton, Alberta  
 Canada T5S 1L6  
 tel / 780.451.4000  
 fax / 780.451.4745  
 visionwall.com

**Series 103 Curtain Wall Detail**  
 3-Element | Capped Interior Glazed Curtain Wall  
 Expansion Joint With Sash, Outward Opening  
 DWG / 1038  
 date / 2009  
 scale / 1=2



17915-118 Avenue  
 Edmonton, Alberta  
 Canada T5S 1L6  
 tel / 780.451.4000  
 fax / 780.451.4745  
 visionwall.com

**Series 103 Curtain Wall Detail**  
 3-Element | Capped Interior Glazed Curtain Wall  
 Split Vertical Mullion With Sash, Outward Opening  
 DWG / 1039  
 date / 2009  
 scale / 1=2



## Series 104 Curtain Wall Elevation 4-Element

Capped Interior Glazed Curtain Wall

01 Key

## Series 104 Curtain Wall Detail 4-Element

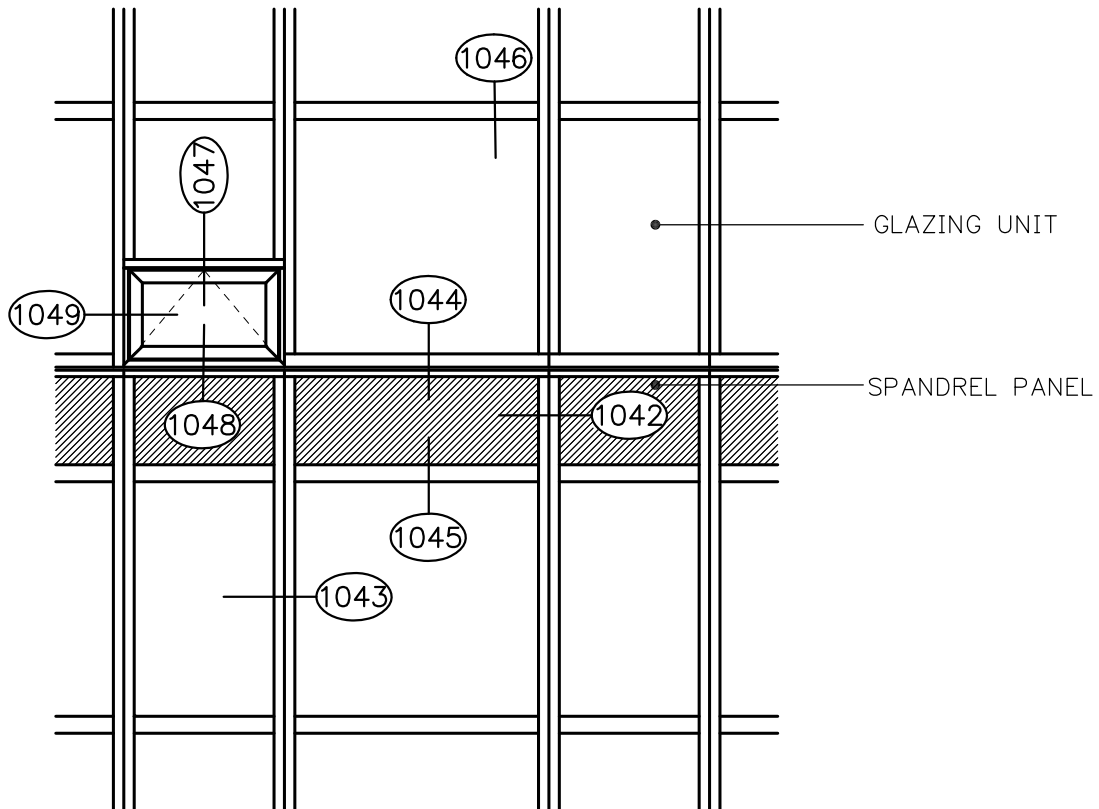
Capped Interior Glazed Curtain Wall

02 Split Vertical Mullion At Spandrel  
03 Split Vertical Mullion At Vision Units  
04 Expansion Joint, Vision Over Spandrel  
05 Intermediate Rail, Spandrel Over Vision  
06 Horizontal Rail At Vision  
07 Horizontal Rail With Sash, Outward  
Opening  
08 Expansion Joint With Sash, Outward  
Opening  
09 Split Vertical Mullion With Sash,  
Outward Opening



VISIONWALL™

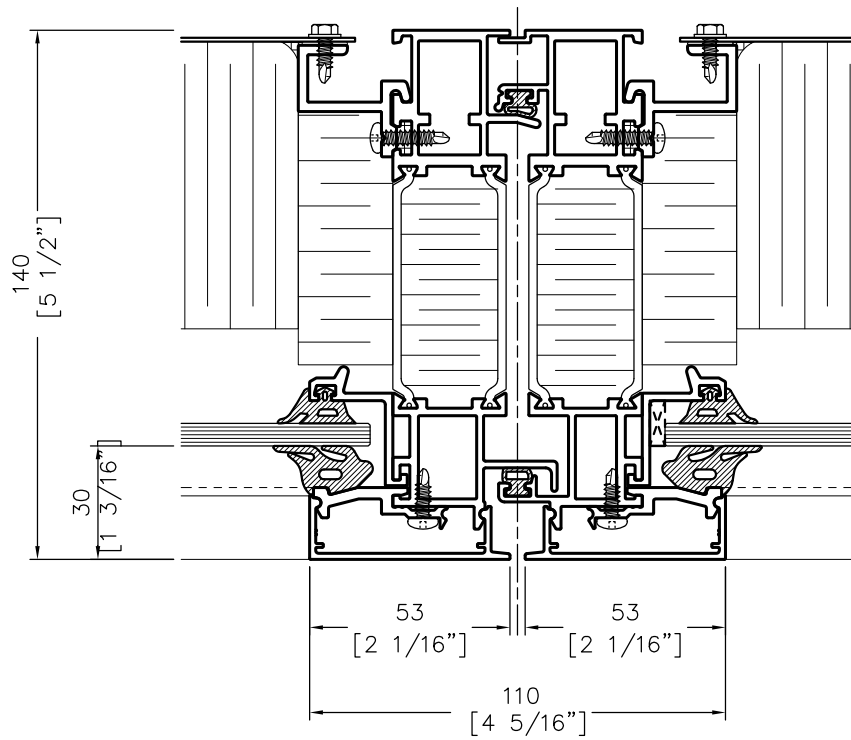
17915-118 Avenue  
Edmonton, Alberta  
Canada T5S 1L6  
tel / 780.451.4000  
fax / 780.451.4745  
visionwall.com



17915-118 Avenue  
 Edmonton, Alberta  
 Canada T5S 1L6  
 tel / 780.451.4000  
 fax / 780.451.4745  
 visionwall.com

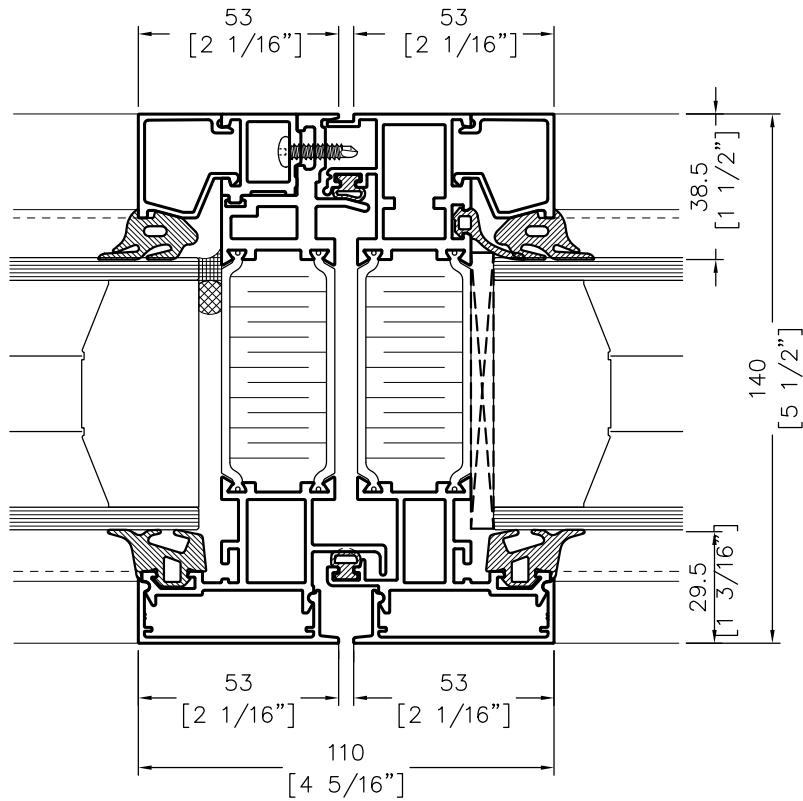
Series 104 Curtain Wall Elevation  
 4-Element | Capped Interior Glazed Curtain Wall

	Key
DWG /	1040
date /	2009
scale /	NTS



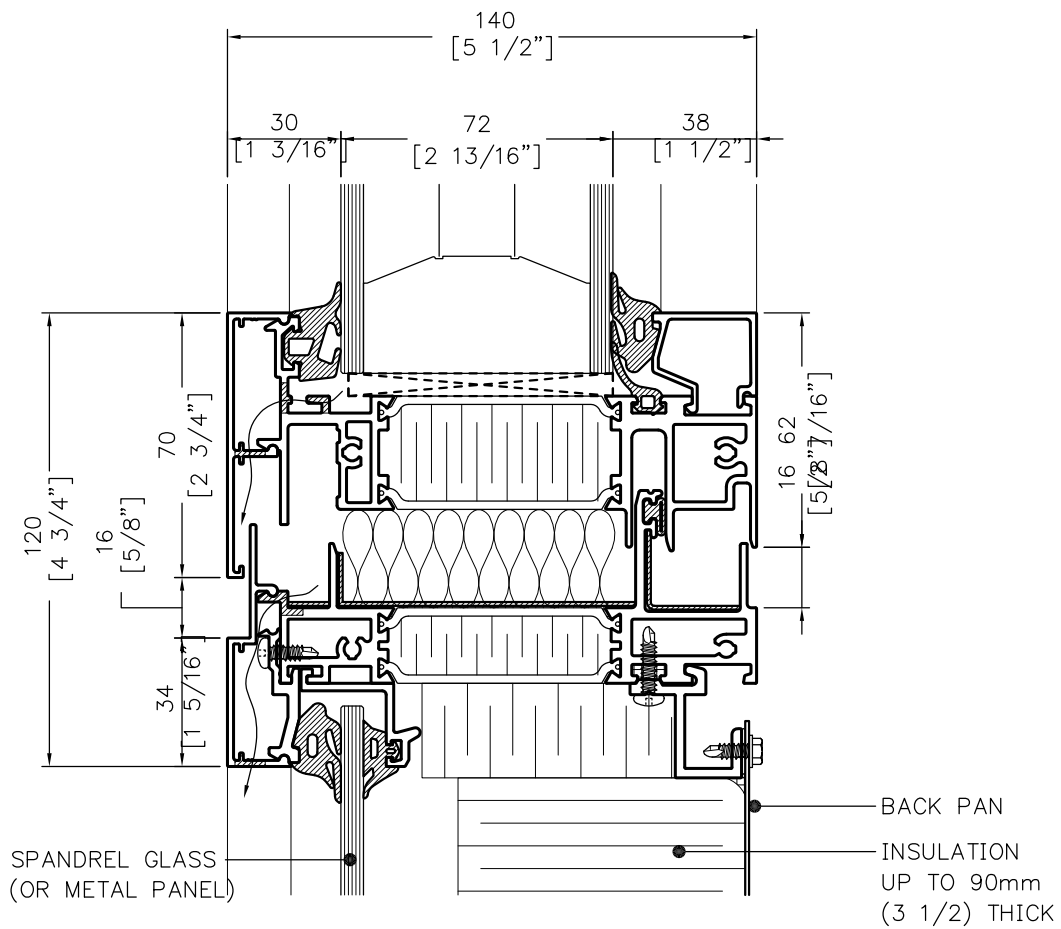
17915-118 Avenue  
 Edmonton, Alberta  
 Canada T5S 1L6  
 tel / 780.451.4000  
 fax / 780.451.4745  
 visionwall.com

**Series 104 Curtain Wall Detail**  
 4-Element | Capped Interior Glazed Curtain Wall  
 Split Vertical Mullion At Spandrel  
 DWG / 1042  
 date / 2009  
 scale / 1=2



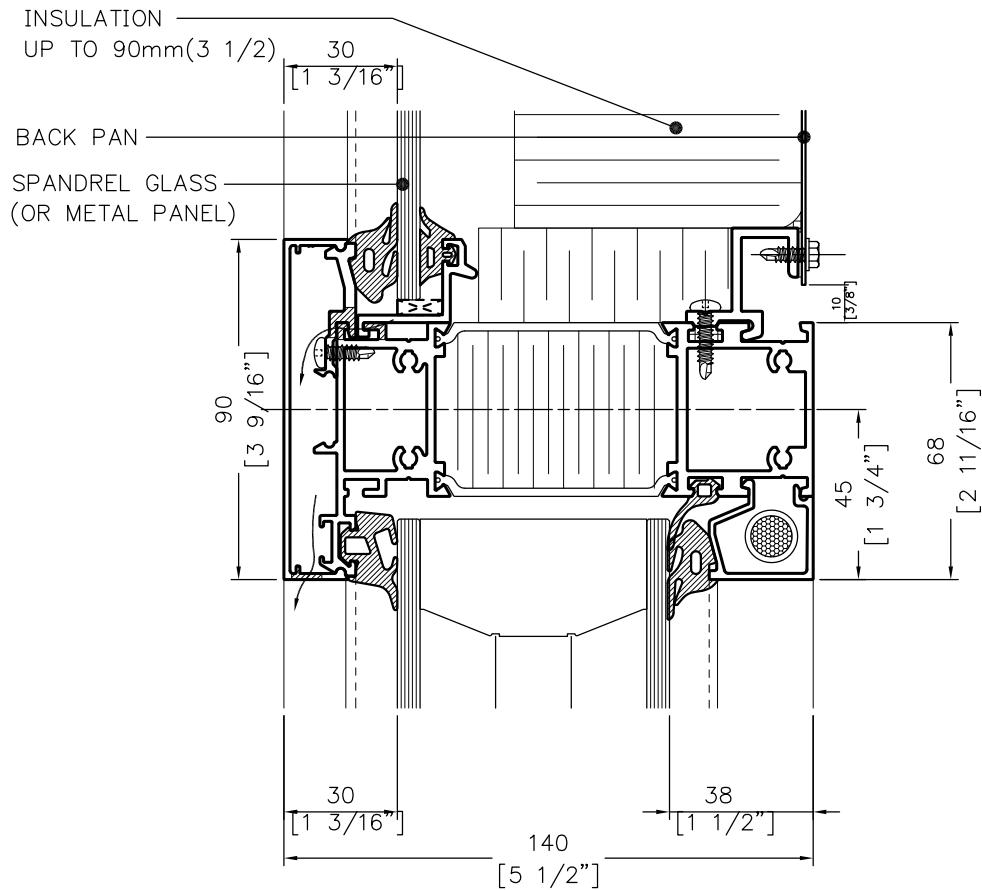
17915-118 Avenue  
 Edmonton, Alberta  
 Canada T5S 1L6  
 tel / 780.451.4000  
 fax / 780.451.4745  
 visionwall.com

**Series 104 Curtain Wall Detail**  
 4-Element | Capped Interior Glazed Curtain Wall  
 Split Vertical Mullion At Vision Units  
 DWG / 1043  
 date / 2009  
 scale / 1=2



17915-118 Avenue  
Edmonton, Alberta  
Canada T5S 1L6  
tel / 780.451.4000  
fax / 780.451.4745  
visionwall.com

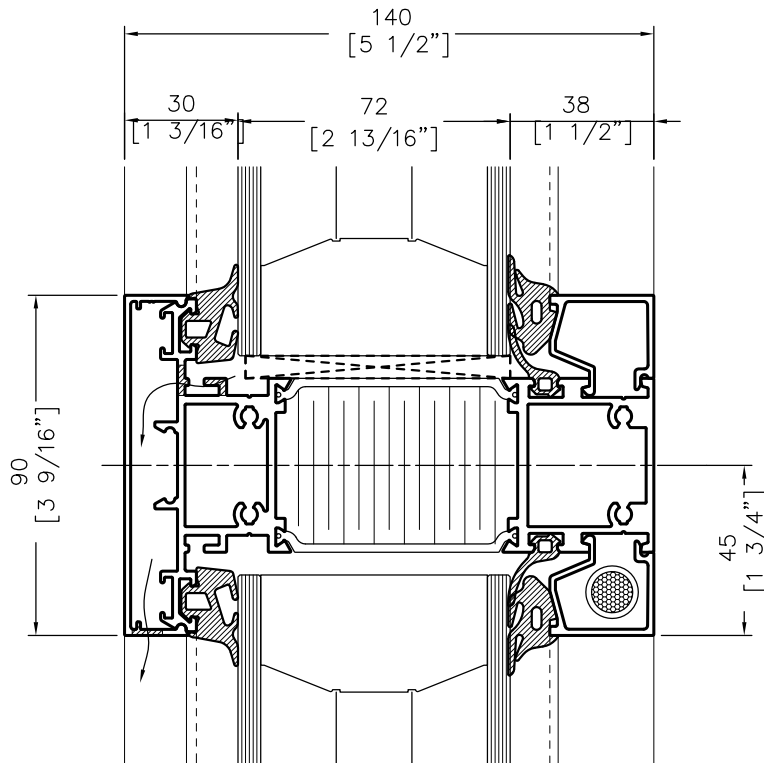
Series 104 Curtain Wall Detail  
4-Element | Capped Interior Glazed Curtain Wall  
Expansion Joint, Vision Over Spandrel  
DWG / 1044  
date / 2009  
scale / 1=2



17915-118 Avenue  
 Edmonton, Alberta  
 Canada T5S 1L6  
 tel / 780.451.4000  
 fax / 780.451.4745  
 visionwall.com

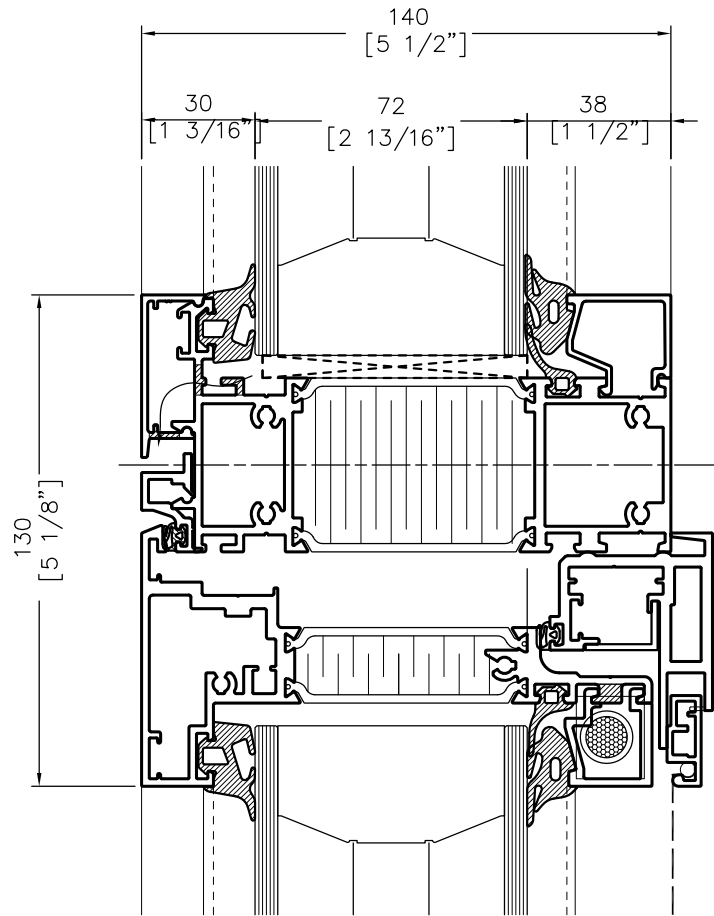
**Series 104 Curtain Wall Detail**  
 4-Element | Capped Interior Glazed Curtain Wall  
 Intermediate Rail, Spandrel Over Vision

DWG / 1045  
 date / 2009  
 scale / 1=2



17915-118 Avenue  
 Edmonton, Alberta  
 Canada T5S 1L6  
 tel / 780.451.4000  
 fax / 780.451.4745  
 visionwall.com

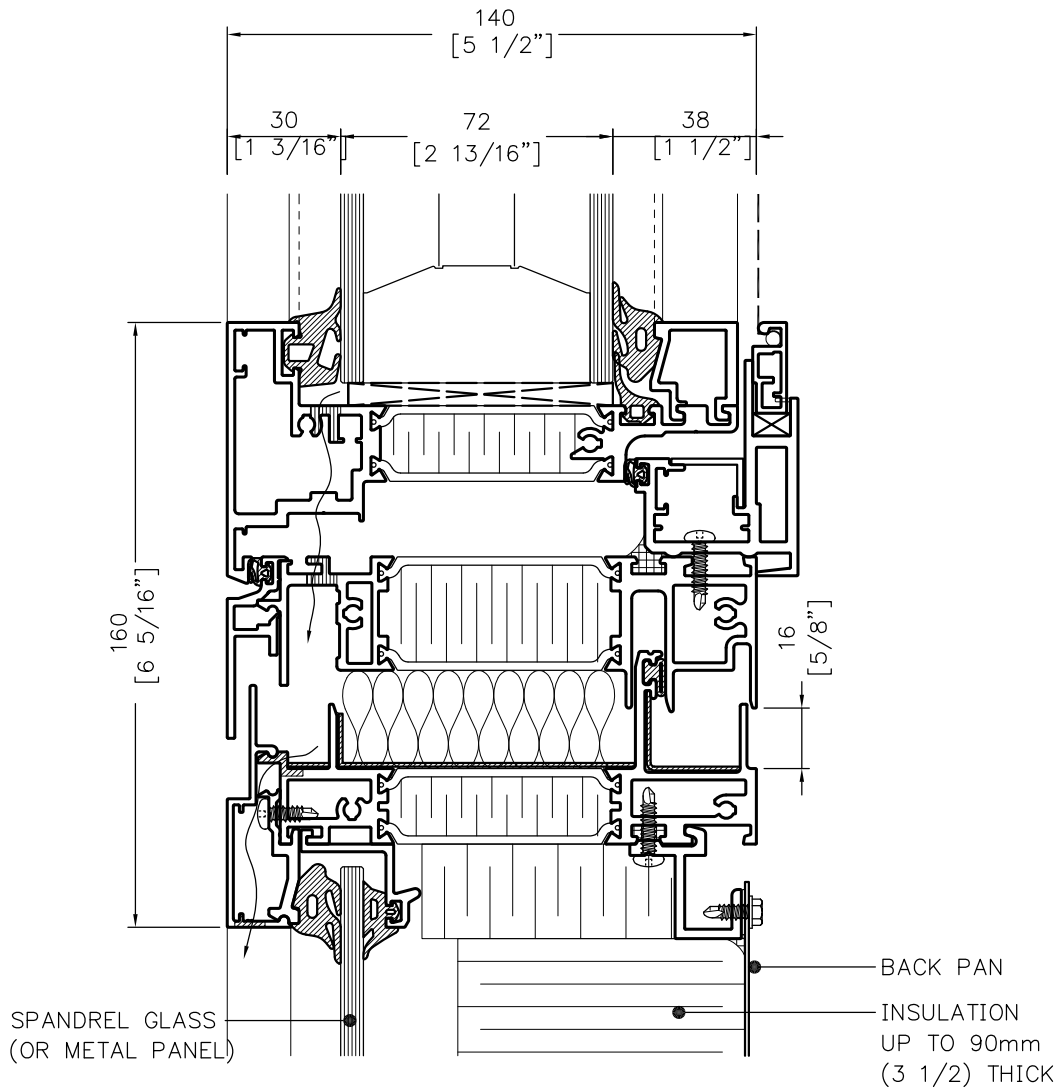
**Series 104 Curtain Wall Detail**  
 4-Element | Capped Interior Glazed Curtain Wall  
 Horizontal Rail At Vision  
 DWG / 1046  
 date / 2009  
 scale / 1=2



17915-118 Avenue  
 Edmonton, Alberta  
 Canada T5S 1L6  
 tel / 780.451.4000  
 fax / 780.451.4745  
 visionwall.com

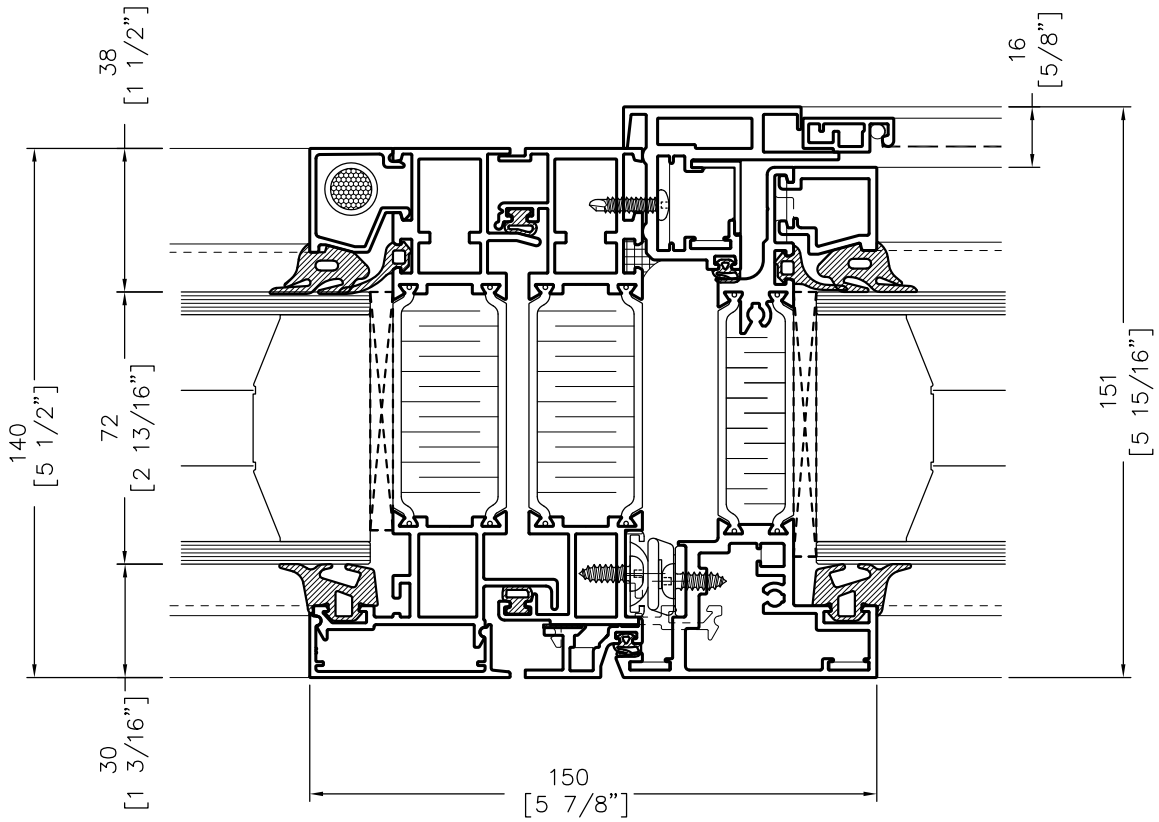
**Series 104 Curtain Wall Detail**  
 4-Element | Capped Interior Glazed Curtain Wall  
 Horizontal Rail With Sash, Outward Opening  
 DWG / 1047  
 date / 2009  
 scale / 1=2





17915-118 Avenue  
Edmonton, Alberta  
Canada T5S 1L6  
tel / 780.451.4000  
fax / 780.451.4745  
visionwall.com

Series 104 Curtain Wall Detail  
4-Element | Capped Interior Glazed Curtain Wall  
Expansion Joint With Sash, Outward Opening  
DWG / 1048  
date / 2009  
scale / 1=2



17915-118 Avenue  
 Edmonton, Alberta  
 Canada T5S 1L6  
 tel / 780.451.4000  
 fax / 780.451.4745  
 visionwall.com

**Series 104 Curtain Wall Detail**  
 4-Element | Capped Interior Glazed Curtain Wall  
 Split Vertical Mullion With Sash, Outward Opening  
 DWG / 1049  
 date / 2009  
 scale / 1=2

## Series 104 Sliding Door

### 4-Element

Glazing System

01 Key

## Series 104 Sliding Door

### 4-Element

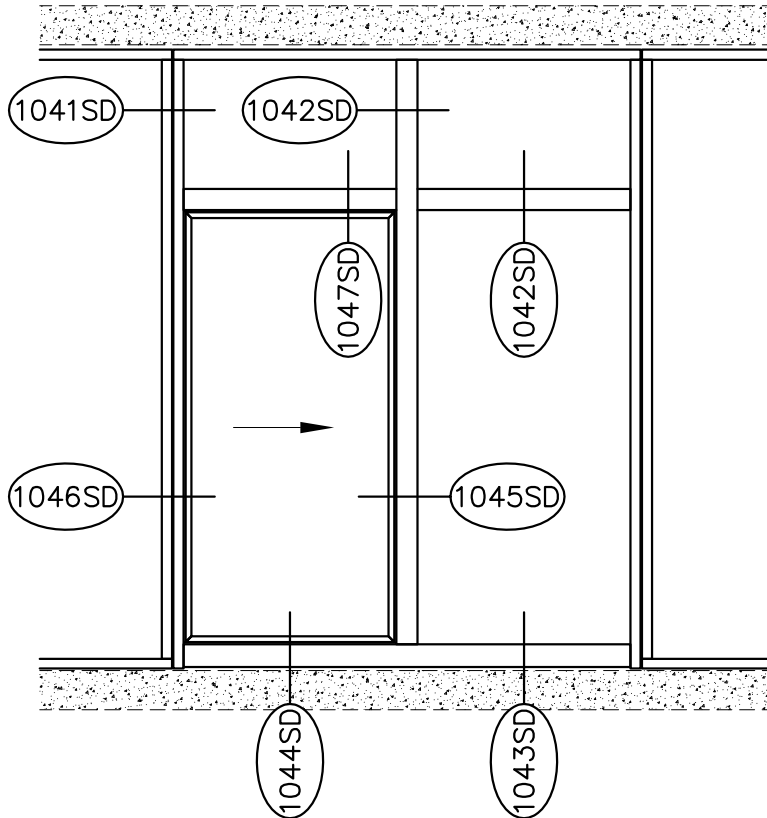
Glazing System

02 Tilt Slide Door Jamb  
03 Tilt Slide Door Mid Mullion  
04 Tilt Slide Door Sill  
05 Tilt Slide Door Threshold  
06 Tilt Slide Door Mid Mullion  
07 Tilt Slide Door Left Jamb  
08 Tilt Slide Door Transom



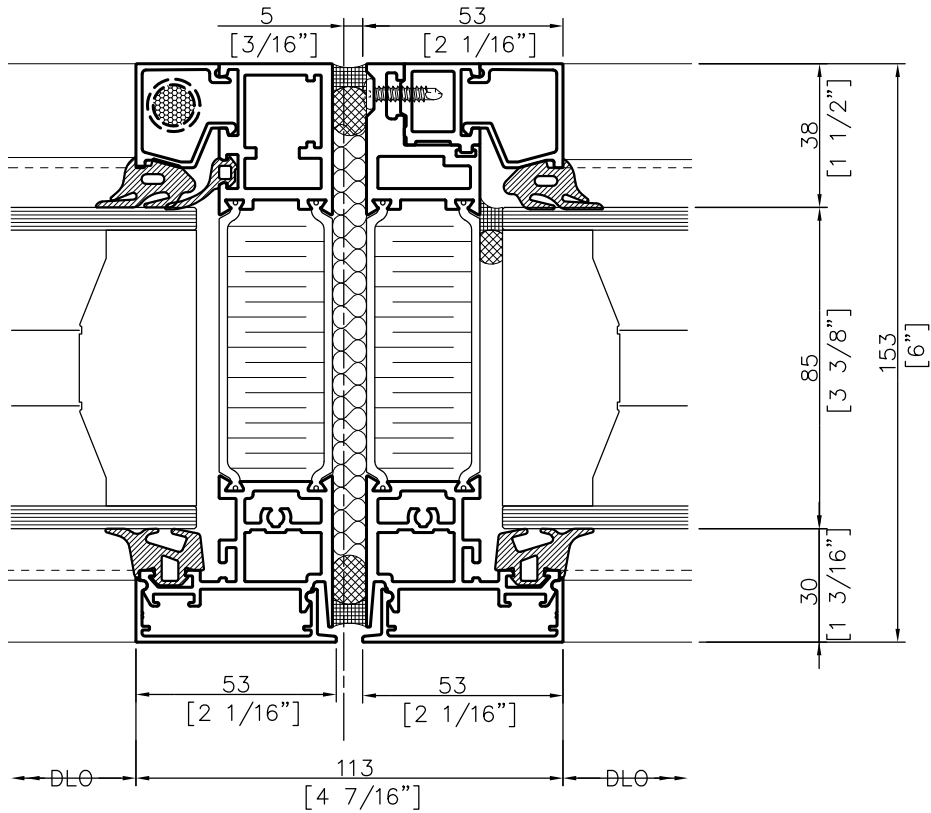
VISIONWALL™

17915-118 Avenue  
Edmonton, Alberta  
Canada T5S 1L6  
tel / 780.451.4000  
fax / 780.451.4745  
visionwall.com



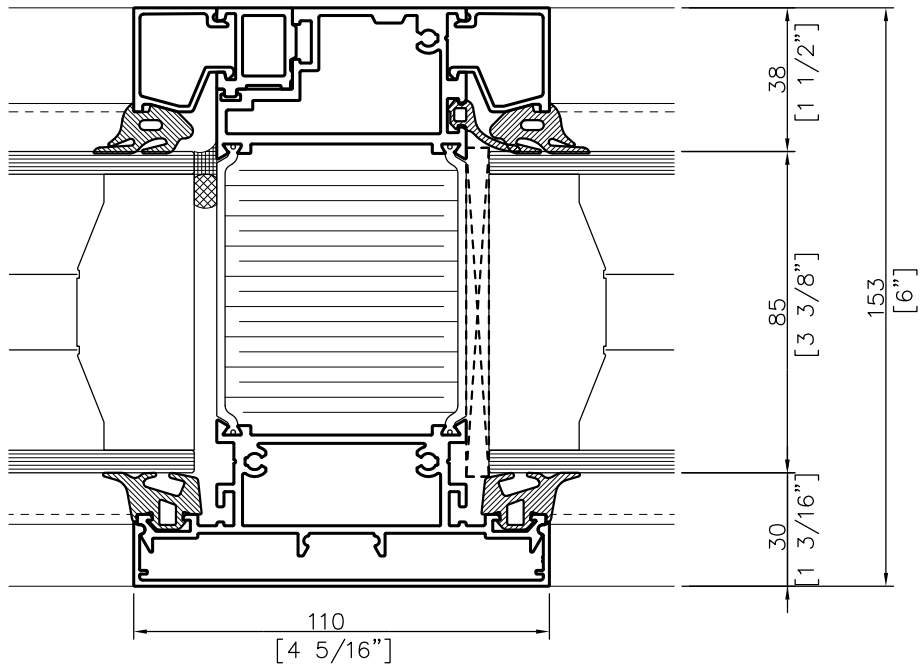
17915-118 Avenue  
 Edmonton, Alberta  
 Canada T5S 1L6  
 tel / 780.451.4000  
 fax / 780.451.4745  
 visionwall.com

Series 104 Sliding Door Elevation  
 4-Element | Glazing System  
 Key  
 DWG / 1040SD  
 date / 2009  
 scale / NTS



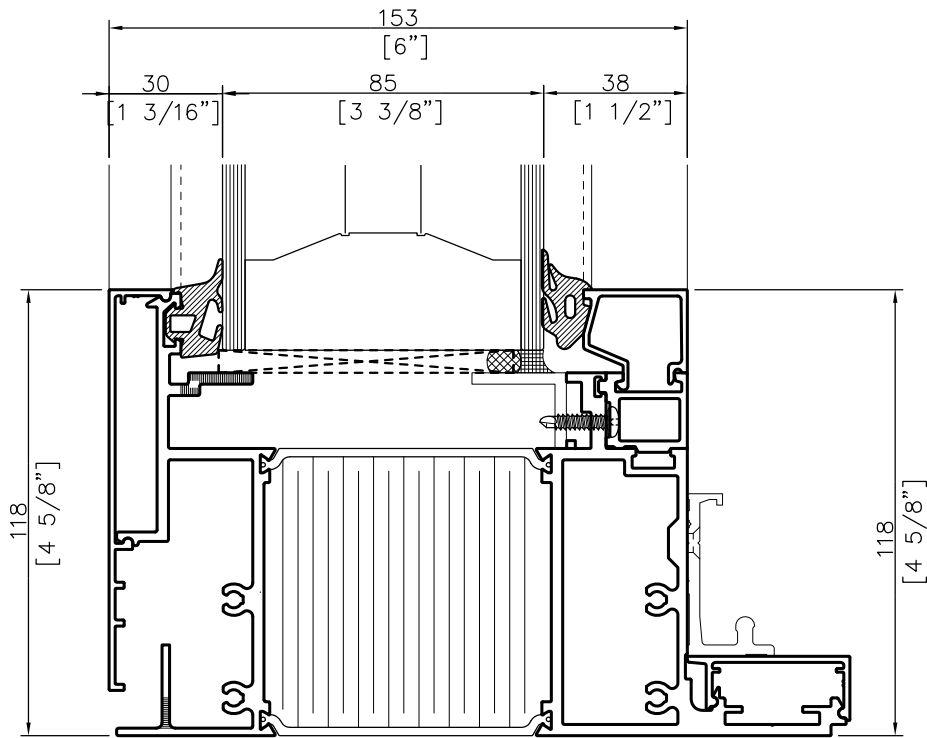
17915-118 Avenue  
 Edmonton, Alberta  
 Canada T5S 1L6  
 tel / 780.451.4000  
 fax / 780.451.4745  
 visionwall.com

Series 104 Sliding Door Detail  
 4-Element | Glazing System  
 Tilt Slide Door Jamb  
 DWG / 1041SD  
 date / 2009  
 scale / 1=2



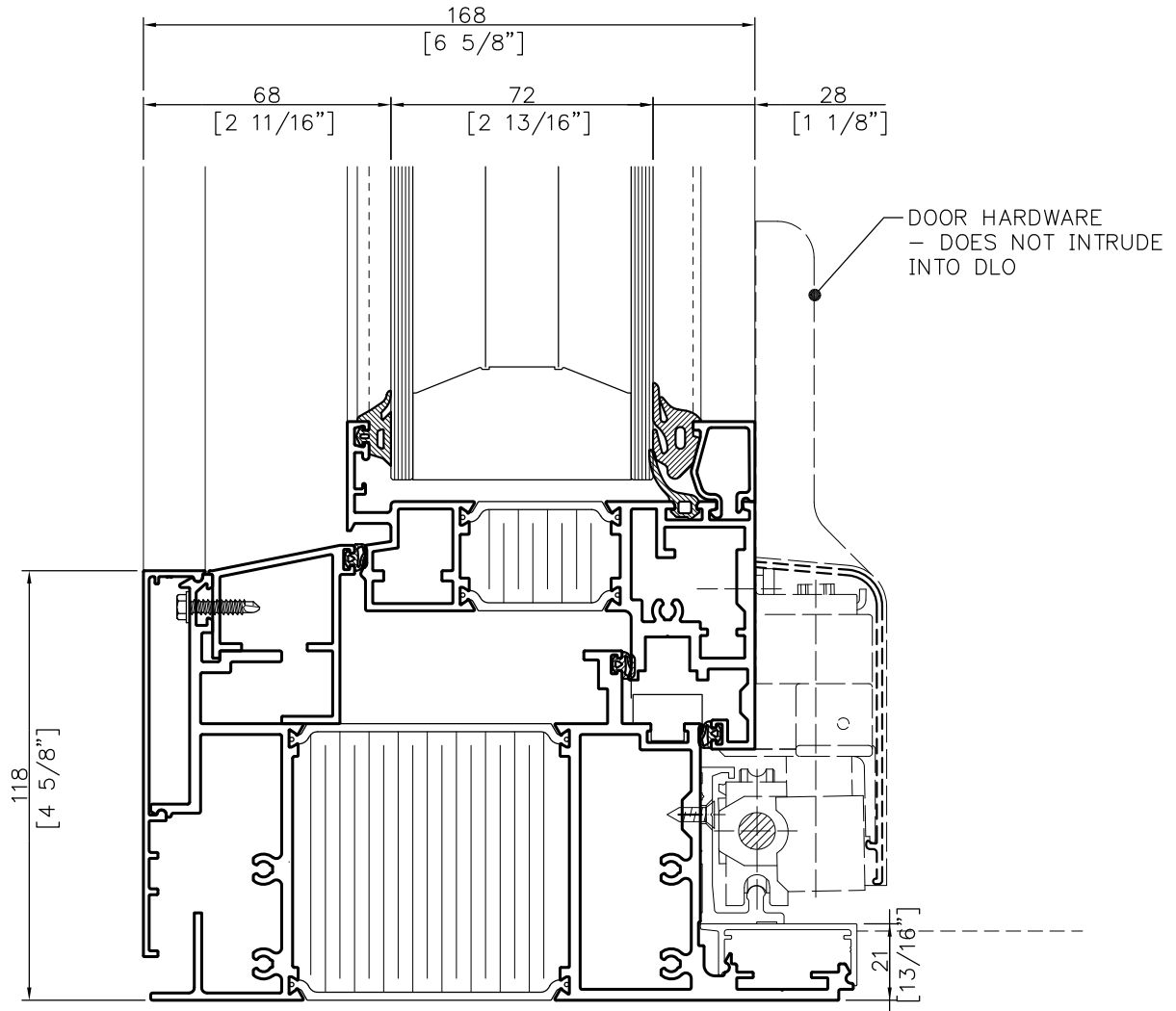
17915-118 Avenue  
 Edmonton, Alberta  
 Canada T5S 1L6  
 tel / 780.451.4000  
 fax / 780.451.4745  
 visionwall.com

Series 104 Sliding Door Detail  
 4-Element | Glazing System  
 Tilt Slide Door Mid Mullion  
 DWG / 1042SD  
 date / 2009  
 scale / 1=2



17915-118 Avenue  
 Edmonton, Alberta  
 Canada T5S 1L6  
 tel / 780.451.4000  
 fax / 780.451.4745  
 visionwall.com

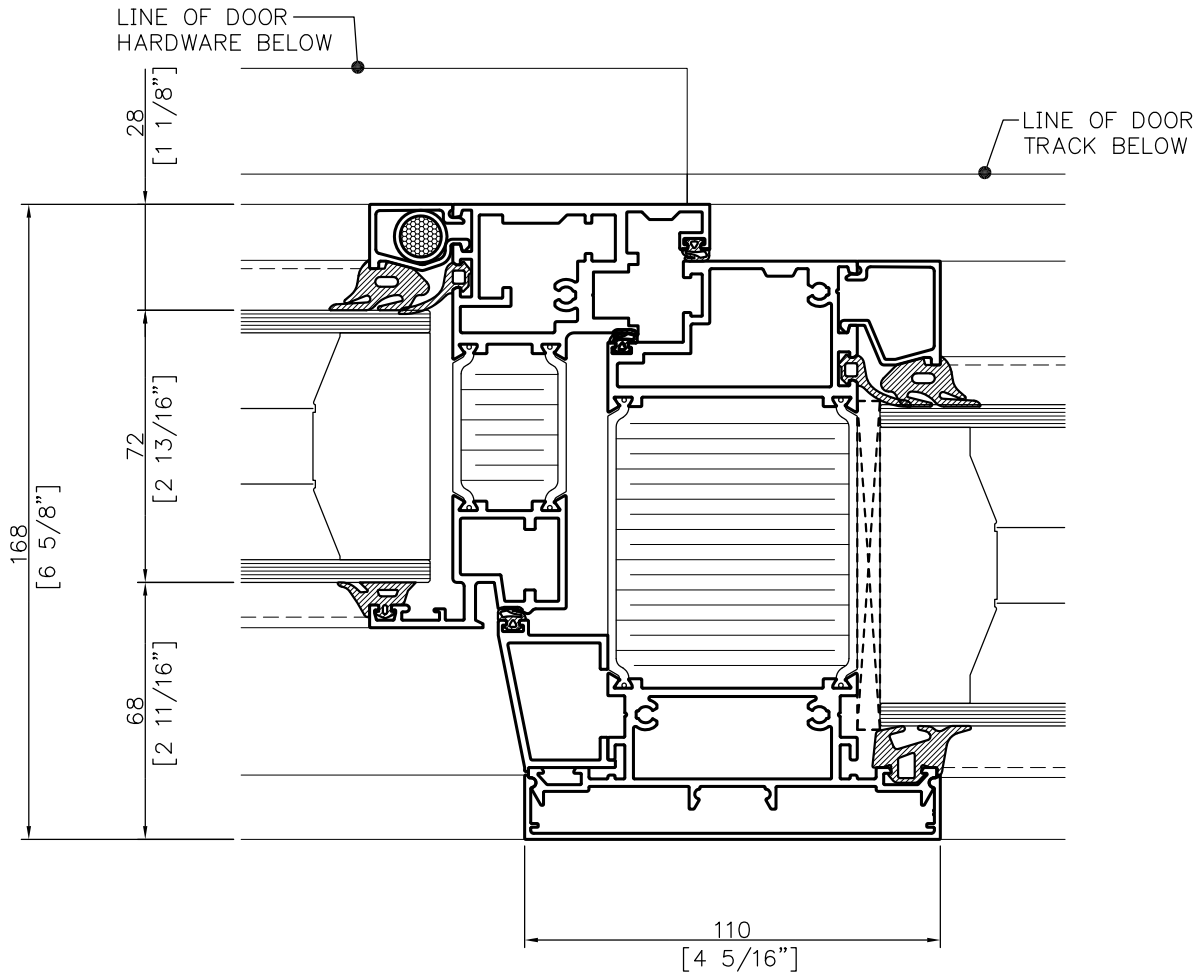
Series 104 Sliding Door Detail  
 4-Element | Glazing System  
 Tilt Slide Door Sill  
 DWG / 1043SD  
 date / 2009  
 scale / 1=2



17915-118 Avenue  
Edmonton, Alberta  
Canada T5S 1L6  
tel / 780.451.4000  
fax / 780.451.4745  
visionwall.com

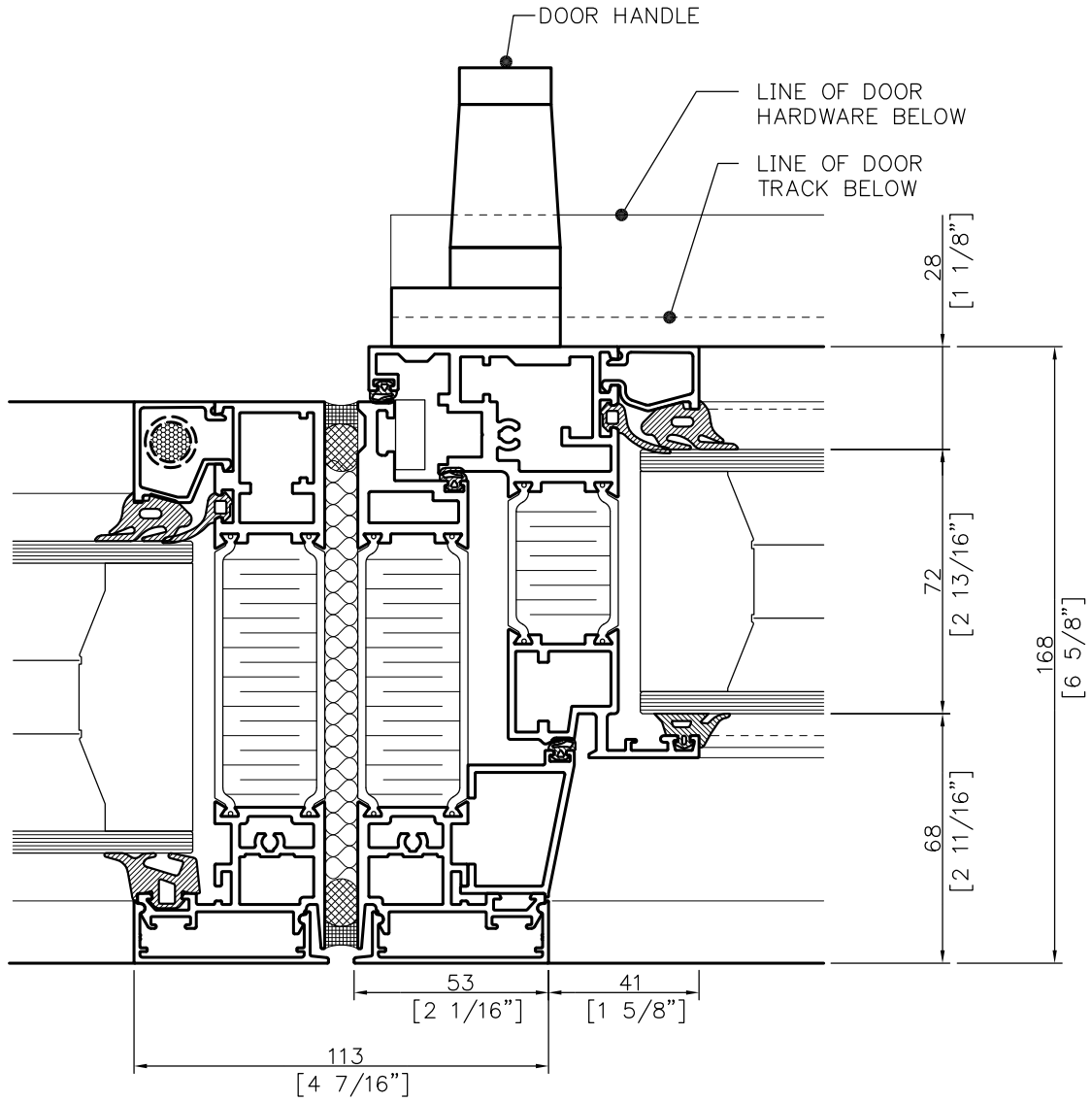
Series 104 Sliding Door Detail  
4-Element | Glazing System  
Tilt Slide Door Threshold  
DWG / 1044SD  
date / 2009  
scale / 1=2





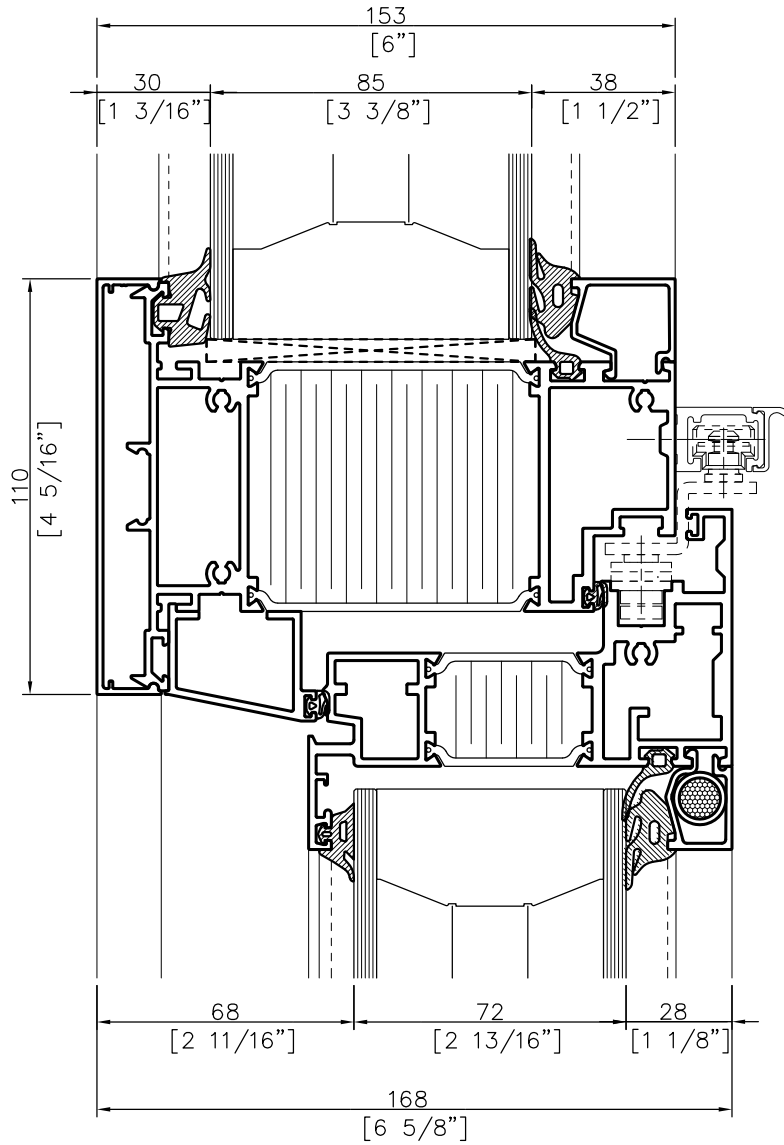
17915-118 Avenue  
Edmonton, Alberta  
Canada T5S 1L6  
tel / 780.451.4000  
fax / 780.451.4745  
visionwall.com

Series 104 Sliding Door Detail  
4-Element | Glazing System  
Tilt Slide Door Mid Mullion  
DWG / 1045SD  
date / 2009  
scale / 1=2



17915-118 Avenue  
 Edmonton, Alberta  
 Canada T5S 1L6  
 tel / 780.451.4000  
 fax / 780.451.4745  
 visionwall.com

Series 104 Sliding Door Detail  
 4-Element | Glazing System  
 Tilt Slide Door Left Jamb  
 DWG / 1046SD  
 date / 2009  
 scale / 1=2



17915-118 Avenue  
 Edmonton, Alberta  
 Canada T5S 1L6  
 tel / 780.451.4000  
 fax / 780.451.4745  
 visionwall.com

Series 104 Sliding Door Detail  
 4-Element | Glazing System  
 Tilt Slide Door Transom  
 DWG / 1047SD  
 date / 2009  
 scale / 1=2

## Series 203 Window Elevation

### 3-Element

Window Glazing System

01 Key

## Series 203 Window Detail

### 3-Element

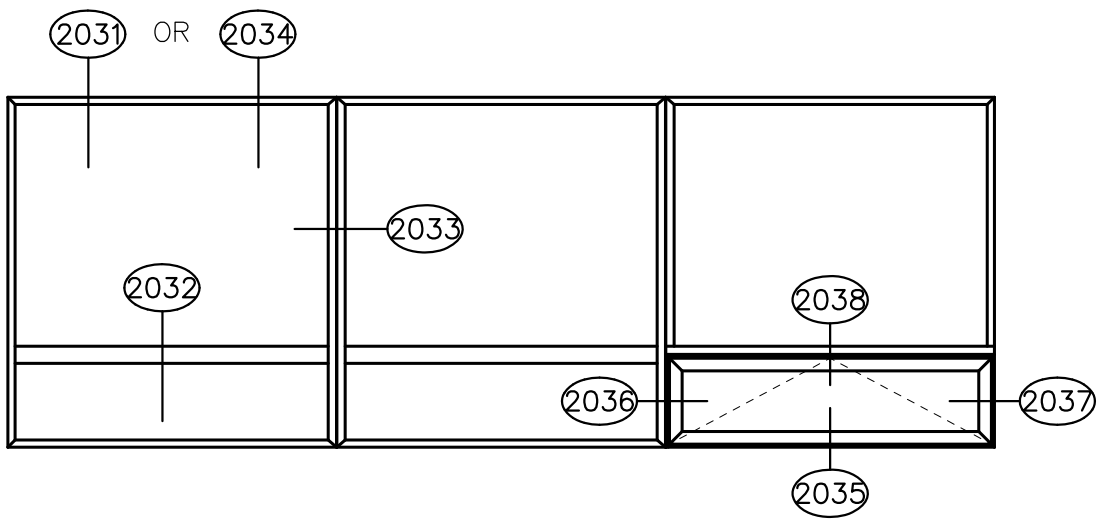
Window Glazing System

- 02 Head Detail For Brick Veneer Wall Construction
- 03 Jamb Detail For Brick Veneer Wall Construction
- 04 Sill Detail For Brick Veneer Wall Construction
- 05 Frame With Interior Perpendicular Mounting Flange
- 06 Horizontal Muntin Or Rail At Vision
- 07 Split Vertical Mullion At Vision Units
- 08 Frame With Interior Horizontal Mounting Flange
- 09 Outward Opening At Window Sill
- 10 Outward Opening At Vertical Split
- 11 Outward Opening At Jamb
- 12 Outward Opening At Horizontal Rail



VISIONWALL

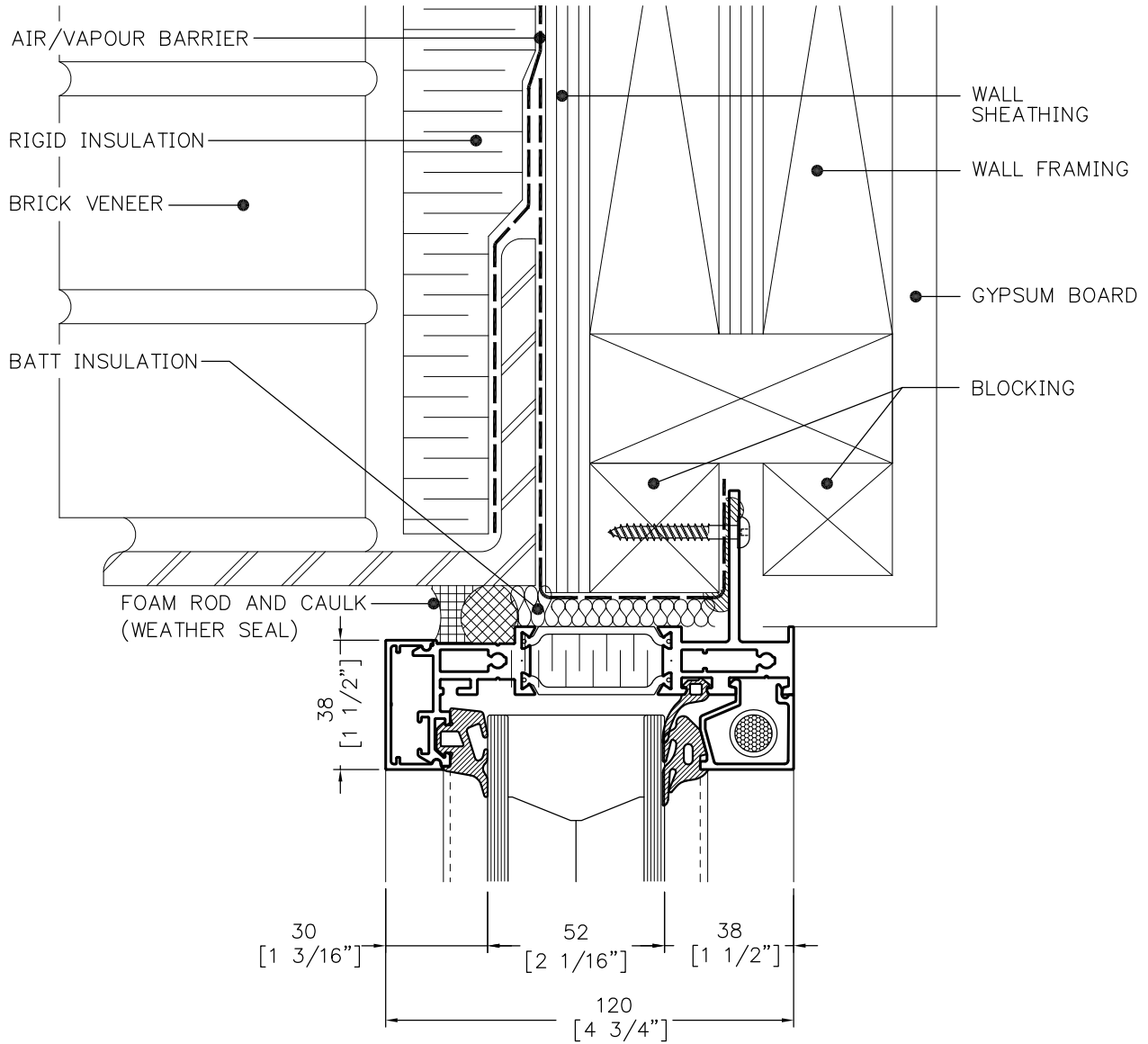
17915-118 Avenue  
Edmonton, Alberta  
Canada T5S 1L6  
tel / 780.451.4000  
fax / 780.451.4745  
visionwall.com



17915-118 Avenue  
 Edmonton, Alberta  
 Canada T5S 1L6  
 tel / 780.451.4000  
 fax / 780.451.4745  
 visionwall.com

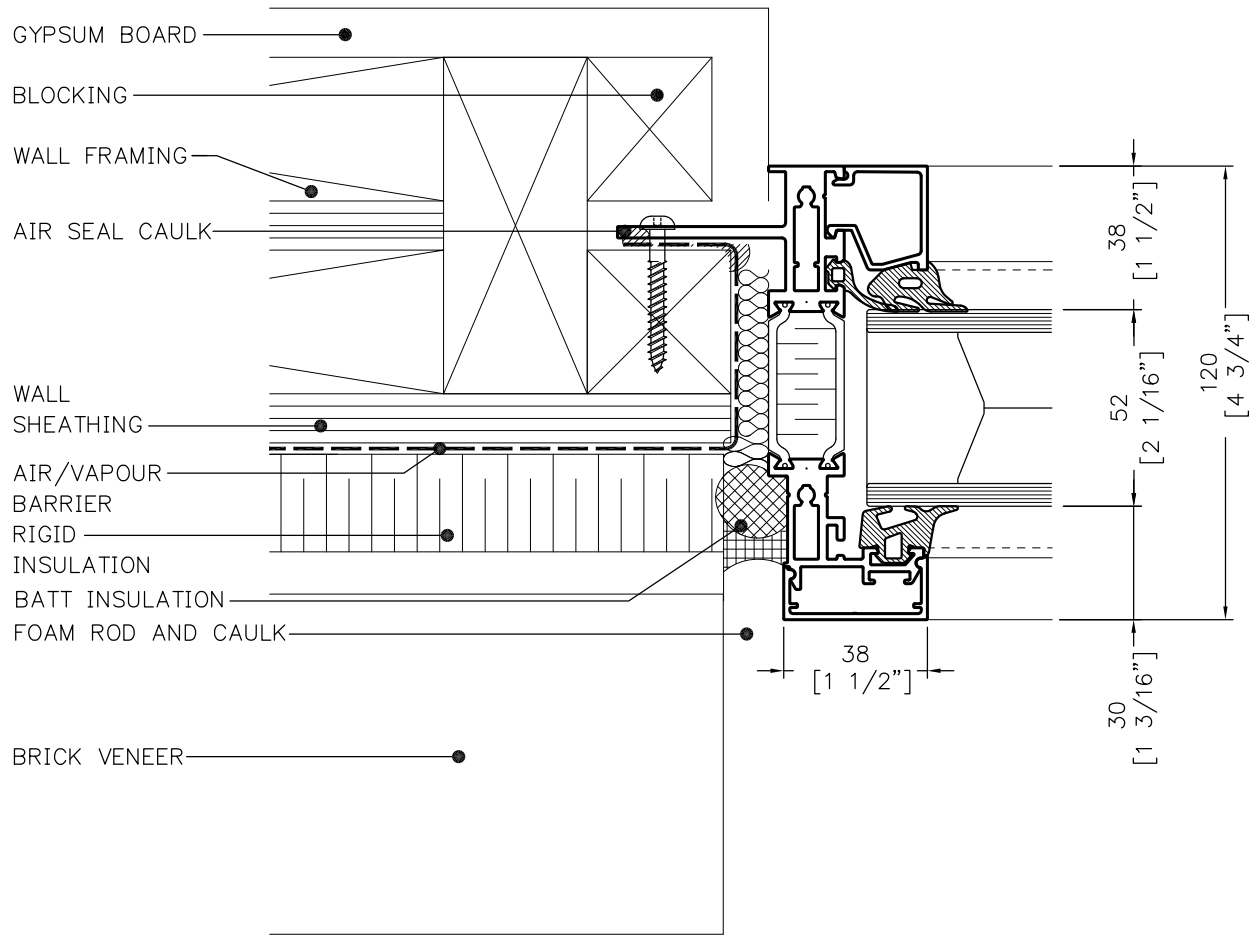
Series 203 Window Elevation  
 3-Element | Window Glazing System

	Key
DWG /	2030
date /	2009
scale /	NTS



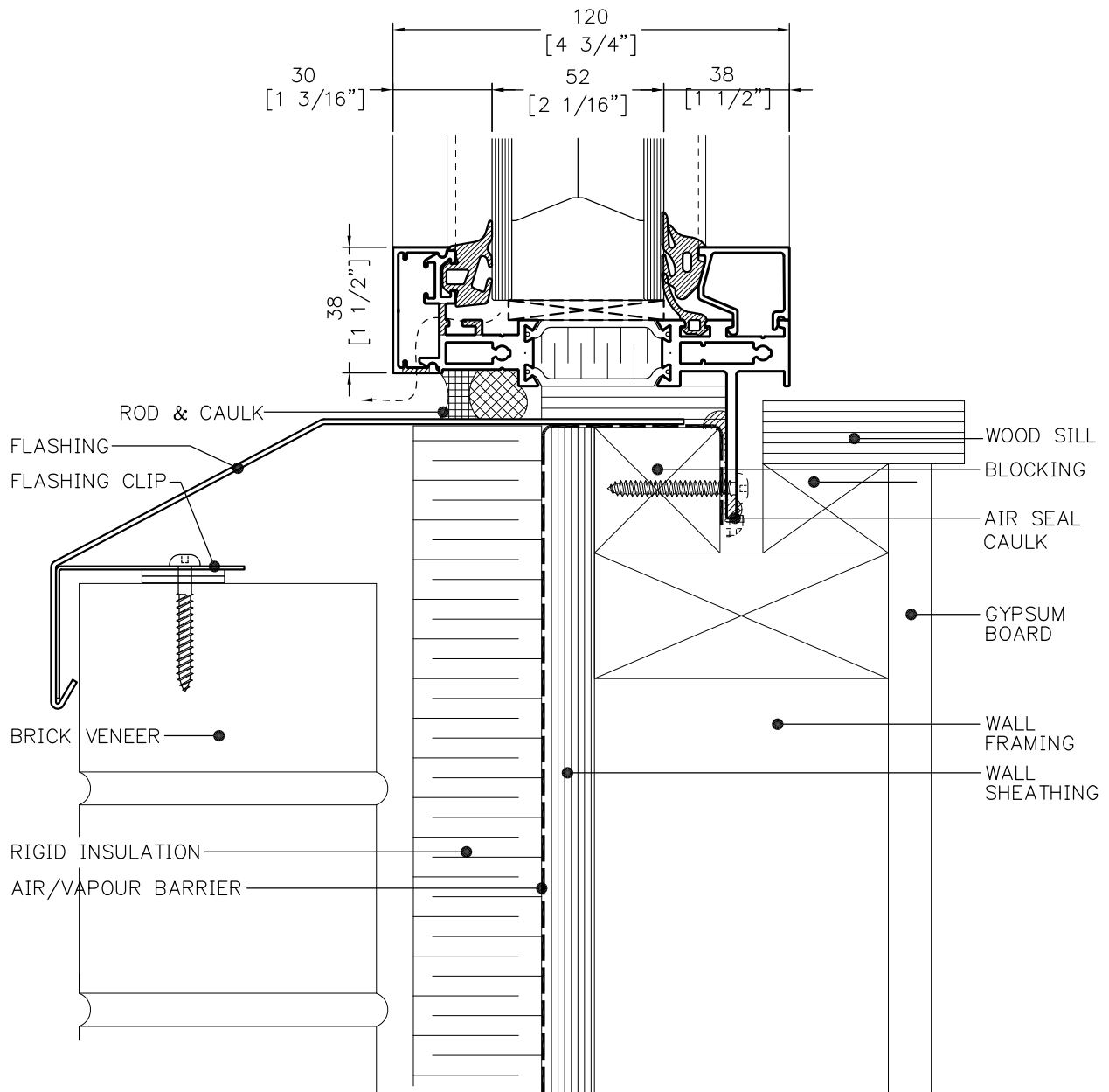
17915-118 Avenue  
 Edmonton, Alberta  
 Canada T5S 1L6  
 tel / 780.451.4000  
 fax / 780.451.4745  
 visionwall.com

**Series 203 Window Detail**  
 3-Element | Window Glazing System  
 Head Detail For Brick Veneer Wall Construction  
 DWG / 203BH  
 date / 2009  
 scale / 1=2



17915-118 Avenue  
 Edmonton, Alberta  
 Canada T5S 1L6  
 tel / 780.451.4000  
 fax / 780.451.4745  
 visionwall.com

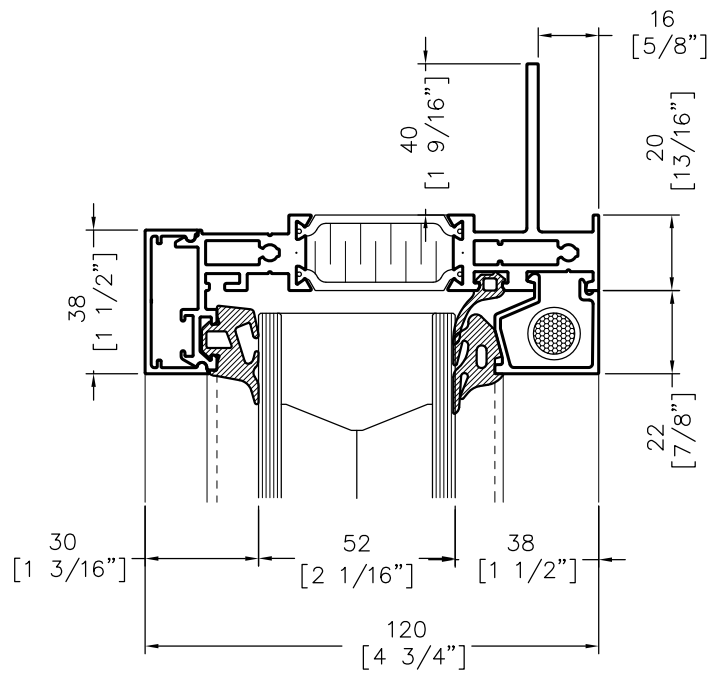
**Series 203 Window Detail**  
 3-Element | Window Glazing System  
 Jamb Detail For Brick Veneer Wall Construction  
 DWG / 203BJ  
 date / 2009  
 scale / 1=2



17915-118 Avenue  
 Edmonton, Alberta  
 Canada T5S 1L6  
 tel / 780.451.4000  
 fax / 780.451.4745  
 visionwall.com

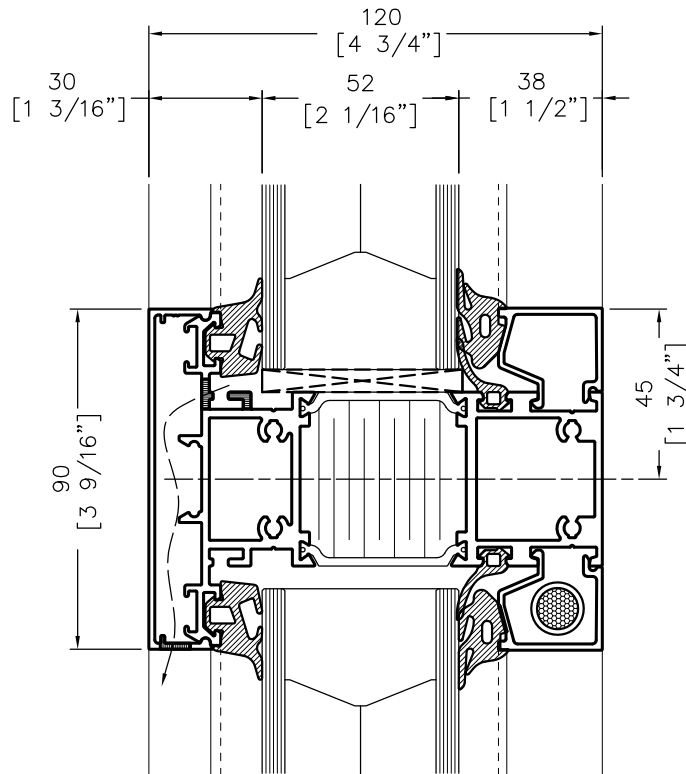
**Series 203 Window Detail**  
 3-Element | Window Glazing System  
 Sill Detail For Brick Veneer Wall Construction  
 DWG / 203BS  
 date / 2009  
 scale / 1=2





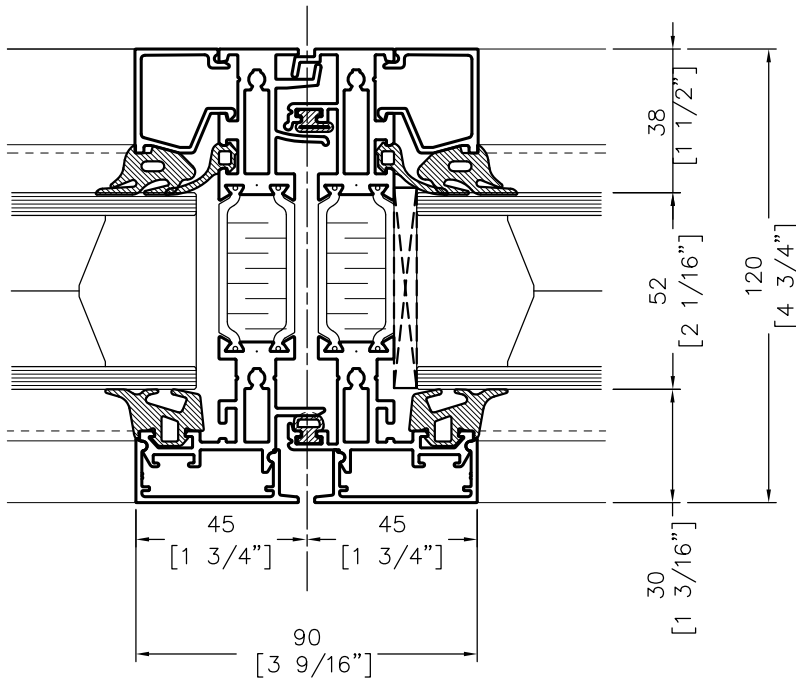
17915-118 Avenue  
 Edmonton, Alberta  
 Canada T5S 1L6  
 tel / 780.451.4000  
 fax / 780.451.4745  
 visionwall.com

**Series 203 Window Detail**  
 3-Element | Window Glazing System  
 Frame With Interior Perpendicular Mounting Flange  
 DWG / 2031  
 date / 2009  
 scale / 1=2



17915-118 Avenue  
 Edmonton, Alberta  
 Canada T5S 1L6  
 tel / 780.451.4000  
 fax / 780.451.4745  
 visionwall.com

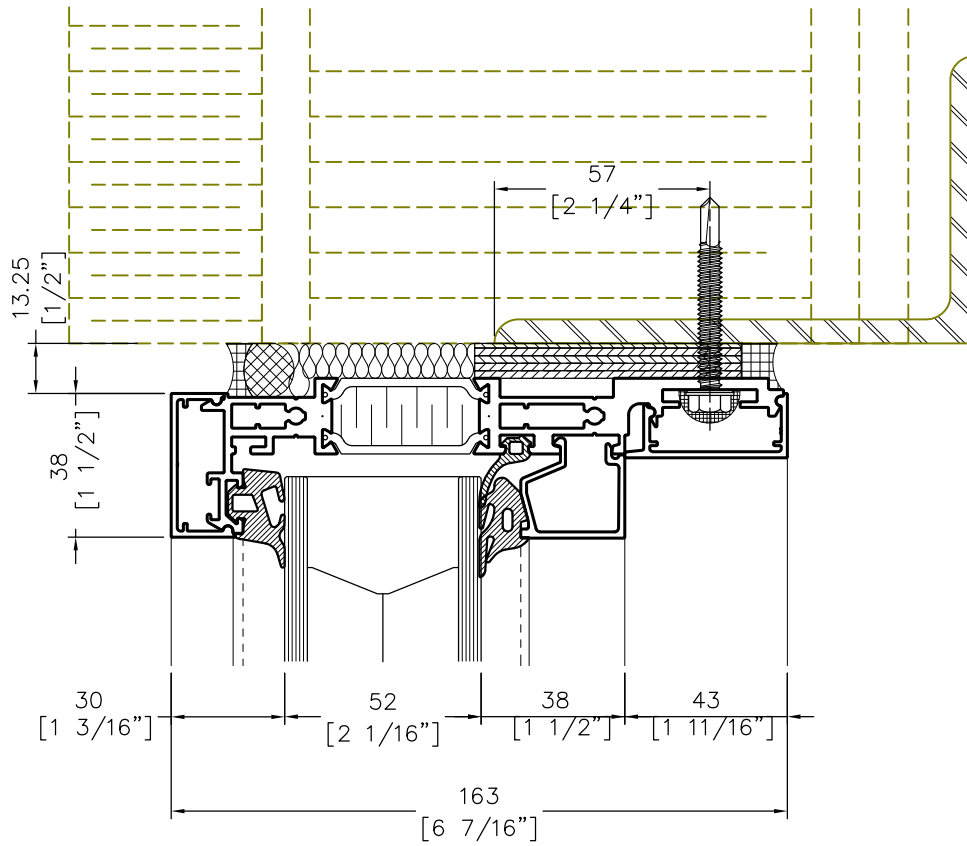
Series 203 Window Detail  
 3-Element | Window Glazing System  
 Horizontal Muntin Or Rail At Vision  
 DWG / 2032  
 date / 2009  
 scale / 1=2



17915-118 Avenue  
 Edmonton, Alberta  
 Canada T5S 1L6  
 tel / 780.451.4000  
 fax / 780.451.4745  
 visionwall.com

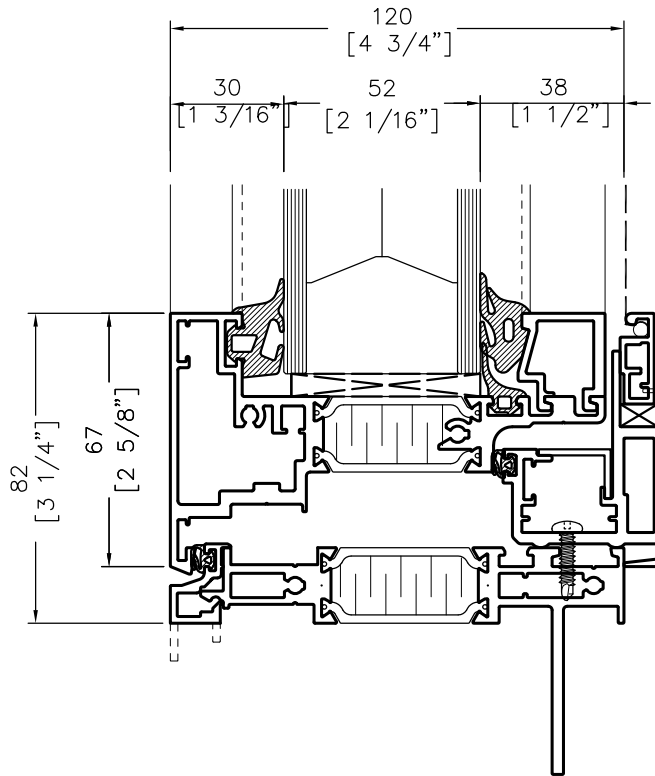
**Series 203 Window Detail**  
 3-Element | Window Glazing System  
 Split Vertical Mullion At Vision Units  
 DWG / 2033  
 date / 2009  
 scale / 1=2

NOTE: SASH CANNOT BE USED  
WITH THIS SECTION



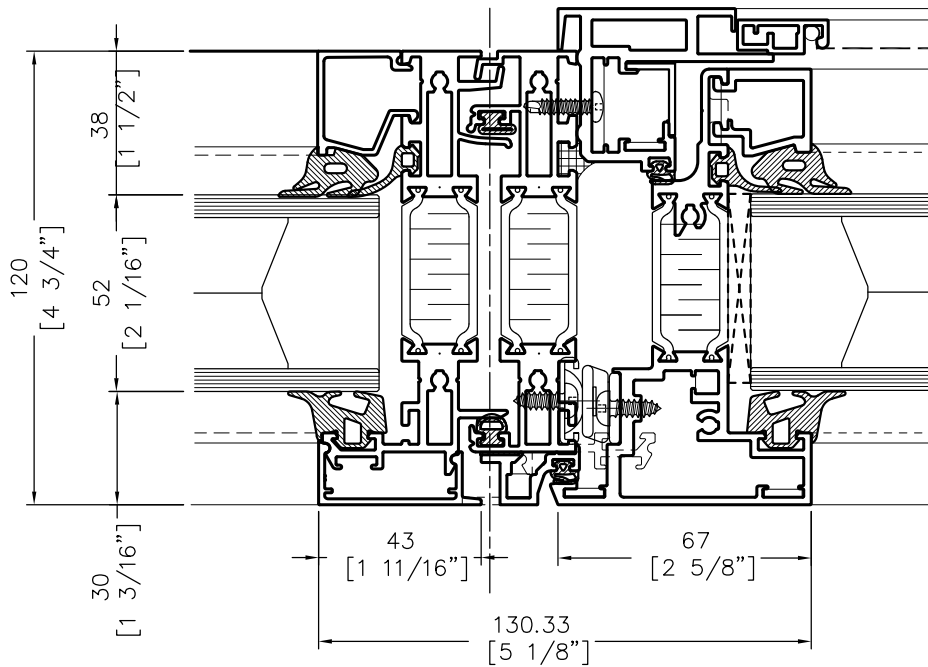
17915-118 Avenue  
Edmonton, Alberta  
Canada T5S 1L6  
tel / 780.451.4000  
fax / 780.451.4745  
visionwall.com

Series 203 Window Detail  
3-Element | Window Glazing System  
Frame With Interior Horizontal Mounting Flange  
DWG / 2034  
date / 2009  
scale / 1=2



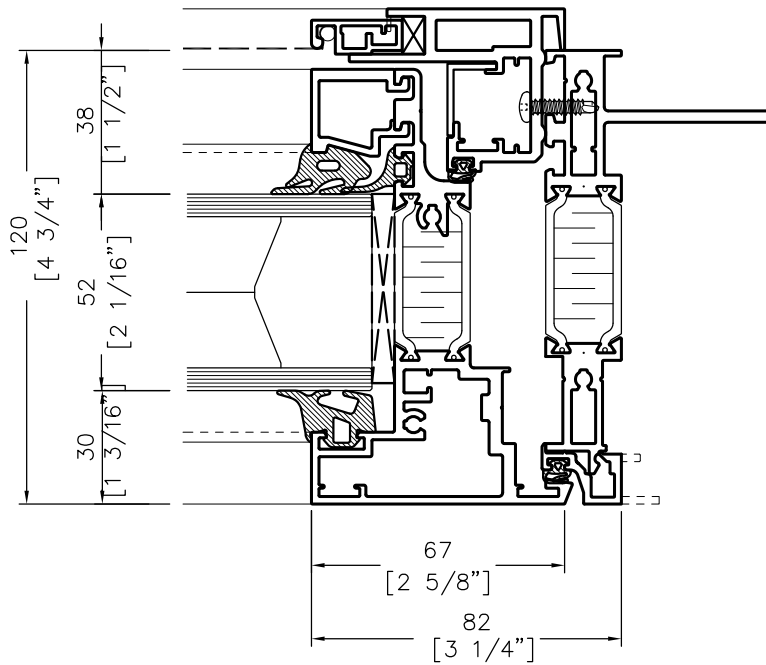
17915-118 Avenue  
 Edmonton, Alberta  
 Canada T5S 1L6  
 tel / 780.451.4000  
 fax / 780.451.4745  
 visionwall.com

**Series 203 Window Detail**  
 3-Element | Window Glazing System  
 Outward Opening At Window Sill  
 DWG / 2035  
 date / 2009  
 scale / 1=2



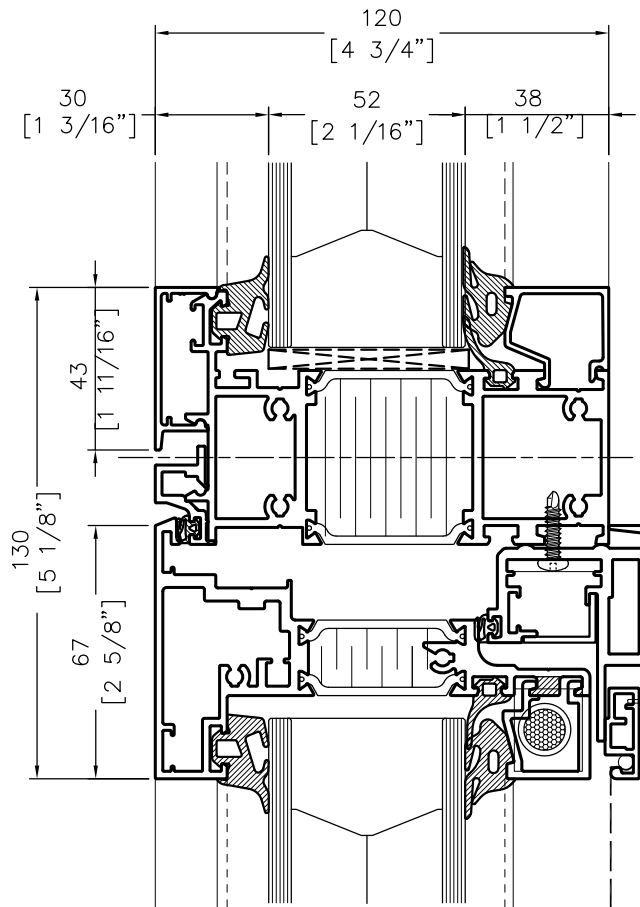
17915-118 Avenue  
 Edmonton, Alberta  
 Canada T5S 1L6  
 tel / 780.451.4000  
 fax / 780.451.4745  
 visionwall.com

**Series 203 Window Detail**  
 3-Element | Window Glazing System  
 Outward Opening At Vertical Split  
 DWG / 2036  
 date / 2009  
 scale / 1=2



17915-118 Avenue  
 Edmonton, Alberta  
 Canada T5S 1L6  
 tel / 780.451.4000  
 fax / 780.451.4745  
 visionwall.com

**Series 203 Window Detail**  
 3-Element | Window Glazing System  
 Outward Opening At Jamb  
 DWG / 2037  
 date / 2009  
 scale / 1=2



17915-118 Avenue  
 Edmonton, Alberta  
 Canada T5S 1L6  
 tel / 780.451.4000  
 fax / 780.451.4745  
 visionwall.com

Series 203 Window Detail  
 3-Element | Window Glazing System  
 Outward Opening At Horizontal Rail  
 DWG / 2038  
 date / 2009  
 scale / 1=2



## Series 204 Window Elevation

### 4-Element

Window Glazing System

01 Key

## Series 204 Window Detail

### 4-Element

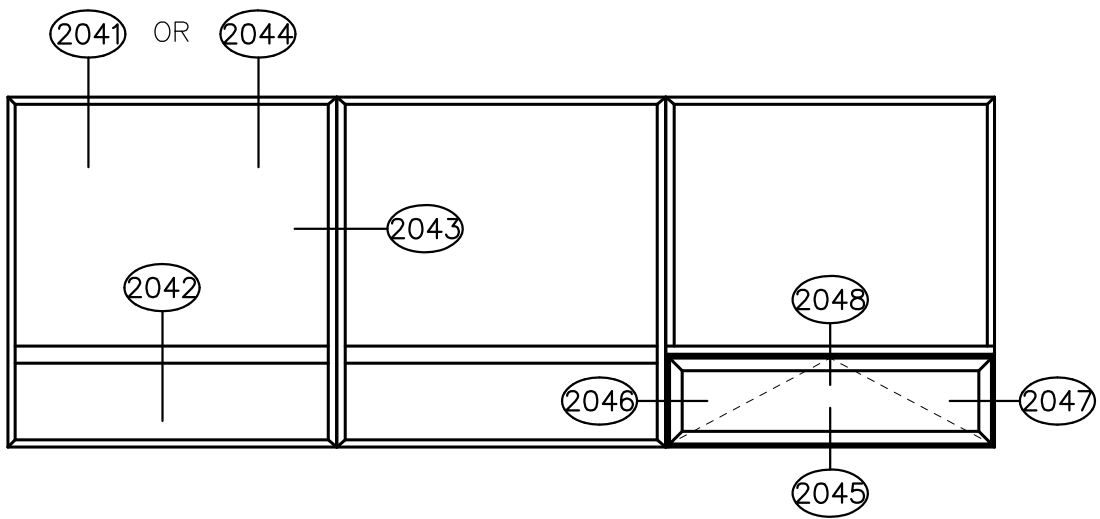
Window Glazing System

- 02 Head Detail For Brick Veneer Wall Construction
- 03 Jamb Detail For Brick Veneer Wall Construction
- 04 Sill Detail For Brick Veneer Wall Construction
- 05 Frame With Interior Perpendicular Mounting Flange
- 06 Horizontal Muntin Or Rail At Vision
- 07 Split Vertical Mullion At Vision Units
- 08 Frame With Interior Horizontal Mounting Flange
- 09 Outward Opening At Window Sill
- 10 Outward Opening At Vertical Split
- 11 Outward Opening At Jamb
- 12 Outward Opening At Horizontal Rail



VISIONWALL

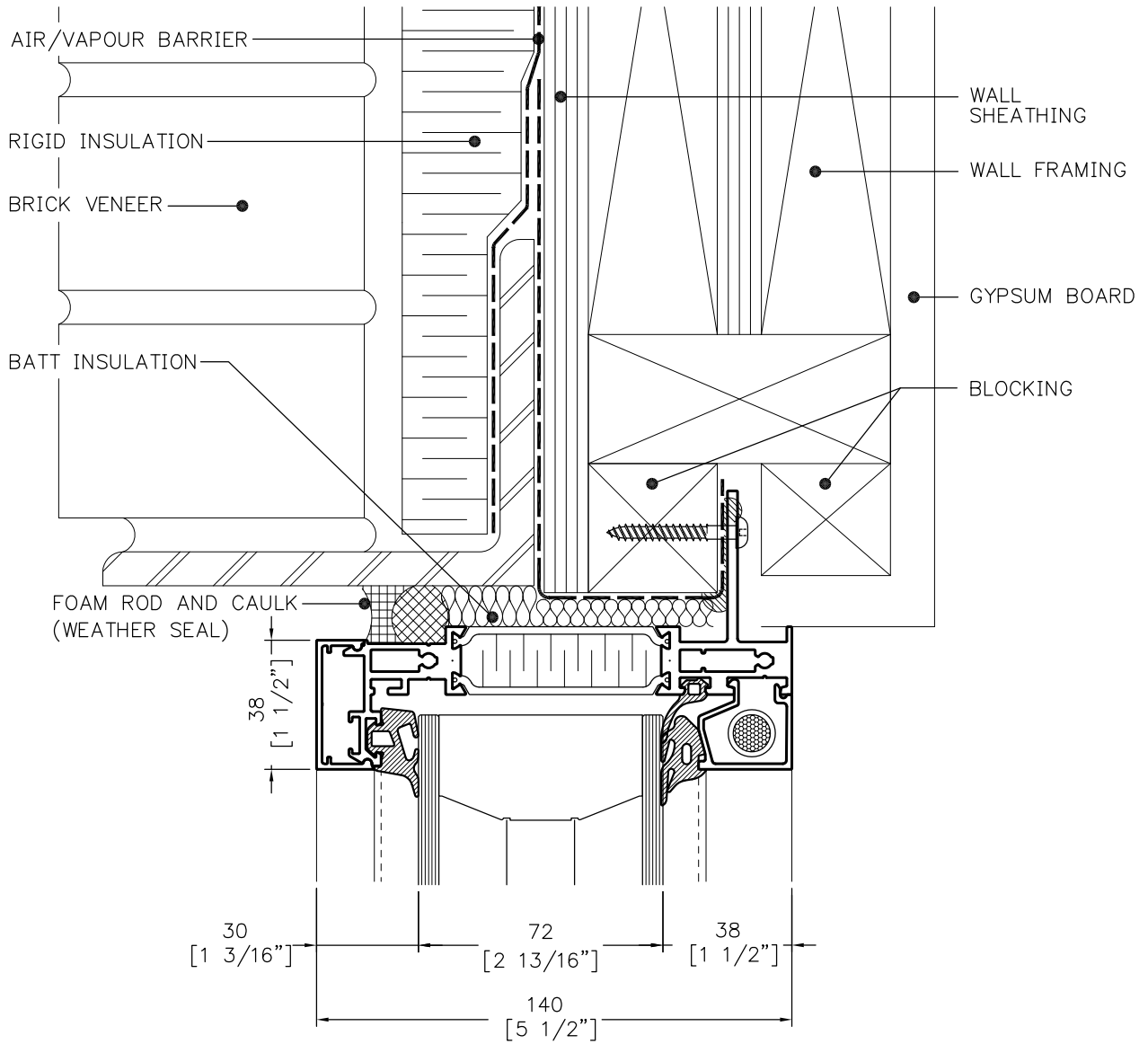
17915-118 Avenue  
Edmonton, Alberta  
Canada T5S 1L6  
tel / 780.451.4000  
fax / 780.451.4745  
visionwall.com

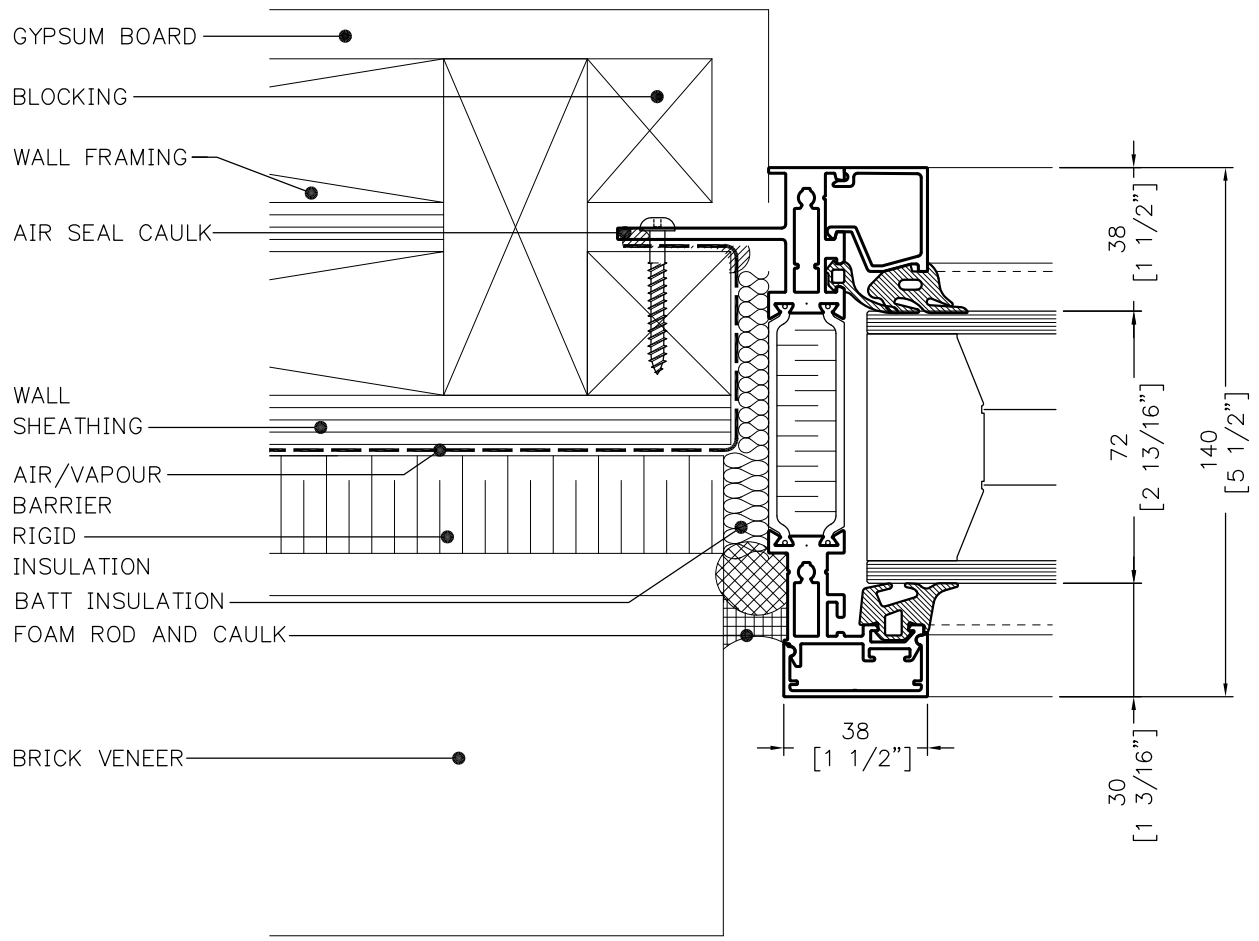


17915-118 Avenue  
 Edmonton, Alberta  
 Canada T5S 1L6  
 tel / 780.451.4000  
 fax / 780.451.4745  
 visionwall.com

Series 204 Window Elevation  
 4-Element | Window Glazing System

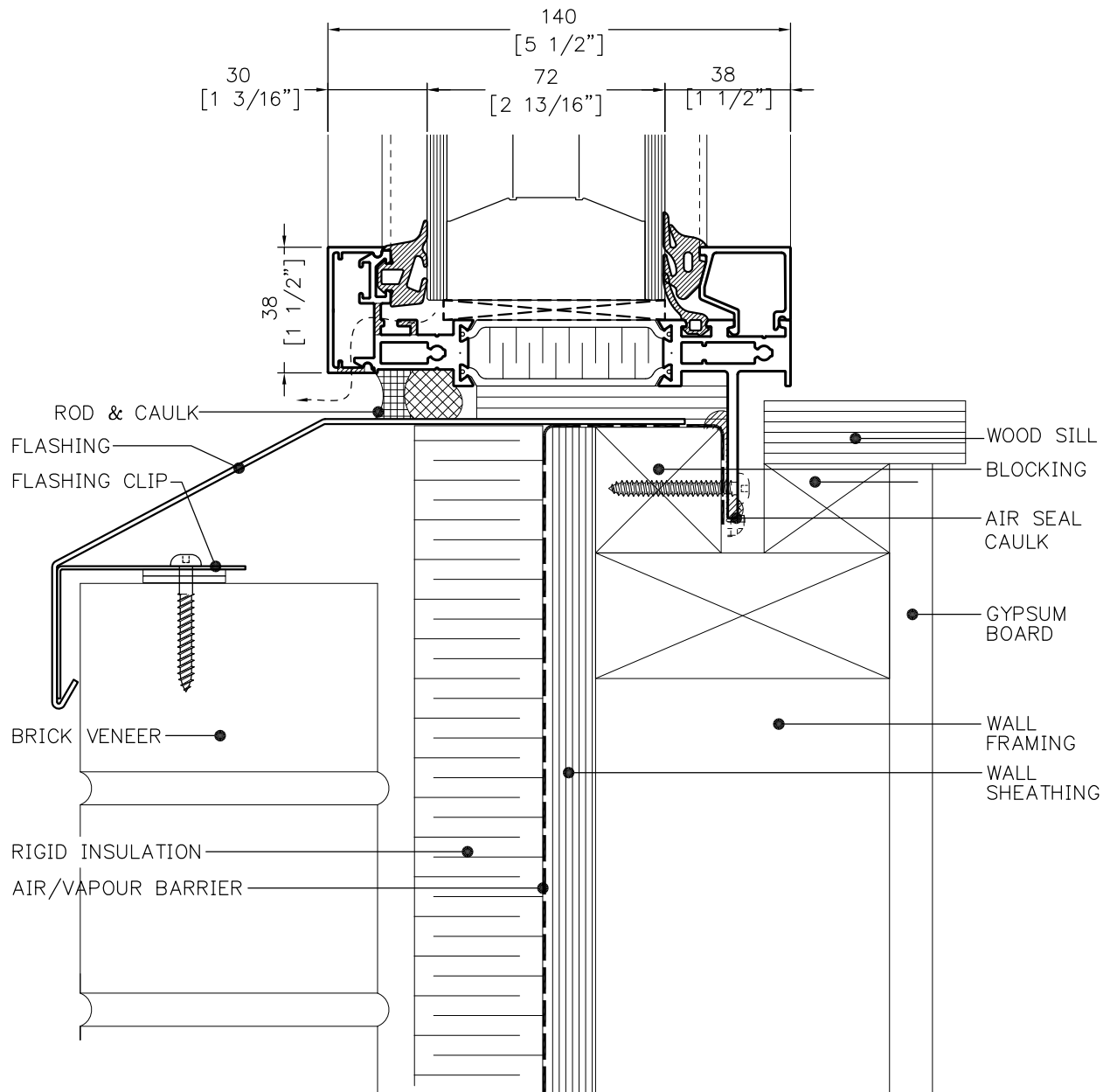
	Key
DWG /	2040
date /	2009
scale /	NTS





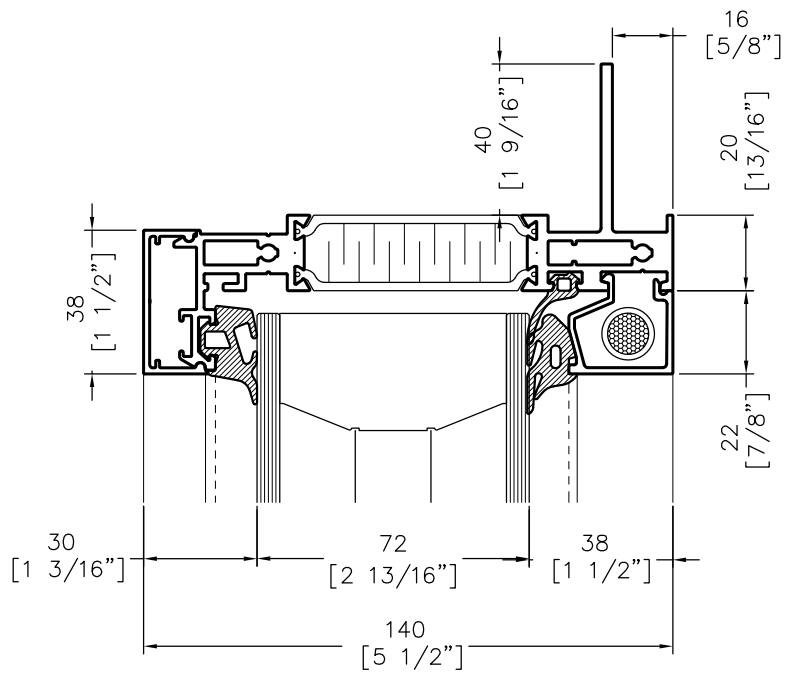
17915-118 Avenue  
 Edmonton, Alberta  
 Canada T5S 1L6  
 tel / 780.451.4000  
 fax / 780.451.4745  
 visionwall.com

**Series 204 Window Detail**  
 4-Element | Window Glazing System  
 Jamb Detail For Brick Veneer Wall Construction  
 DWG / 204BJ  
 date / 2009  
 scale / 1=2



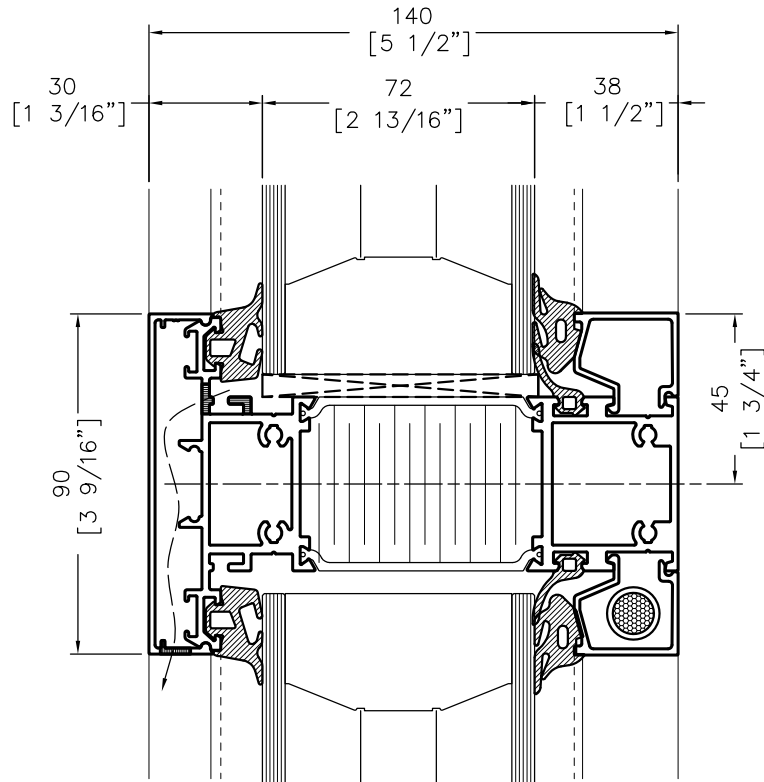
17915-118 Avenue  
 Edmonton, Alberta  
 Canada T5S 1L6  
 tel / 780.451.4000  
 fax / 780.451.4745  
 visionwall.com

Series 204 Window Detail  
 4-Element | Window Glazing System  
 Sill Detail For Brick Veneer Wall Construction  
 DWG / 204BS  
 date / 2009  
 scale / 1=2



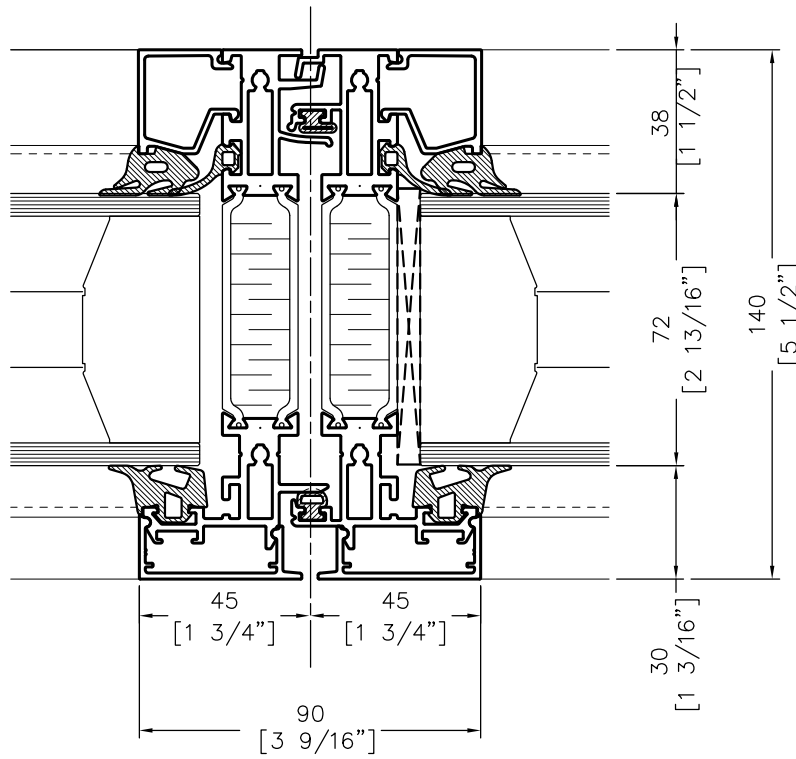
17915-118 Avenue  
 Edmonton, Alberta  
 Canada T5S 1L6  
 tel / 780.451.4000  
 fax / 780.451.4745  
 visionwall.com

Series 204 Window Detail  
 4-Element | Window Glazing System  
 Frame With Interior Perpendicular Mounting Flange  
 DWG / 2041  
 date / 2009  
 scale / 1=2



17915-118 Avenue  
 Edmonton, Alberta  
 Canada T5S 1L6  
 tel / 780.451.4000  
 fax / 780.451.4745  
 visionwall.com

**Series 204 Window Detail**  
 4-Element | Window Glazing System  
 Horizontal Muntin Or Rail At Vision  
 DWG / 2042  
 date / 2009  
 scale / 1=2

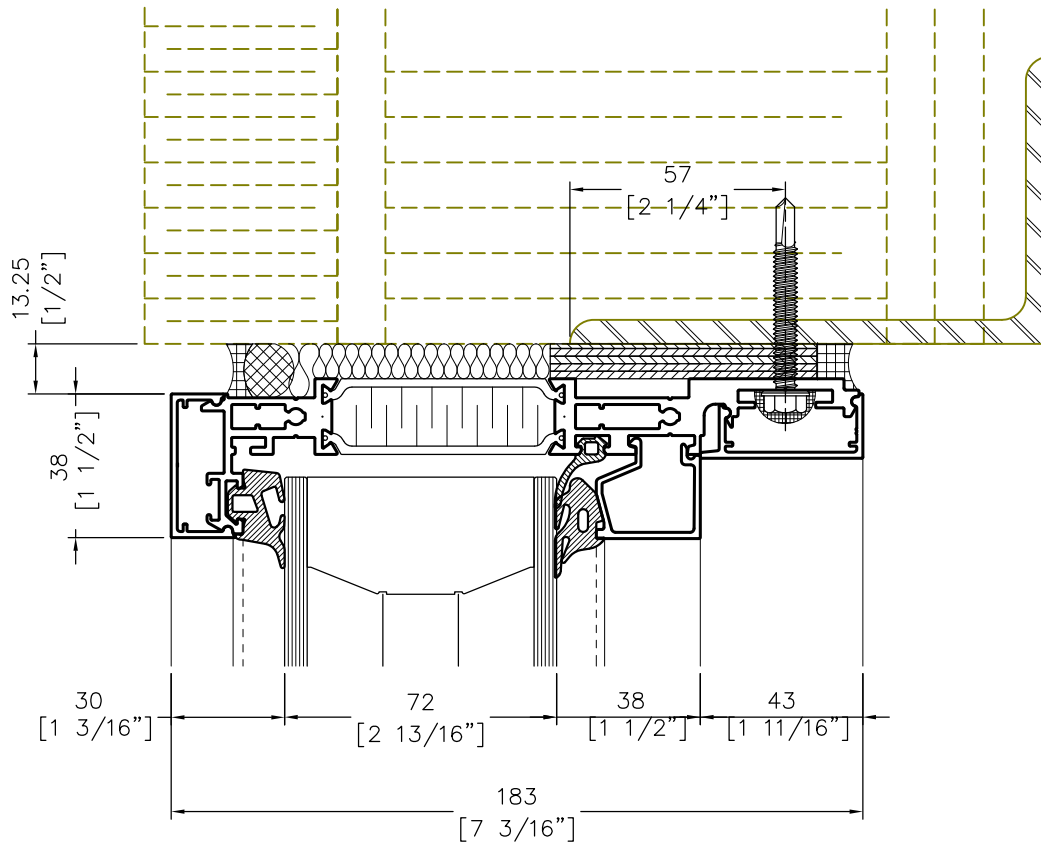


17915-118 Avenue  
 Edmonton, Alberta  
 Canada T5S 1L6  
 tel / 780.451.4000  
 fax / 780.451.4745  
 visionwall.com

**Series 204 Window Detail**  
 4-Element | Window Glazing System  
 Split Vertical Mullion At Vision Units  
 DWG / 2043  
 date / 2009  
 scale / 1=2

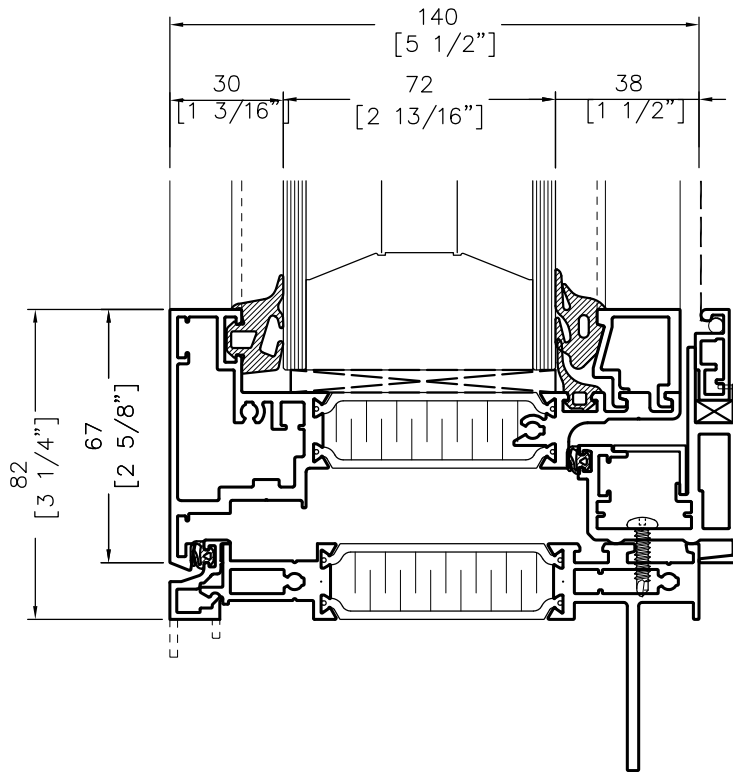


NOTE: SASH CANNOT BE USED WITH THIS SECTION



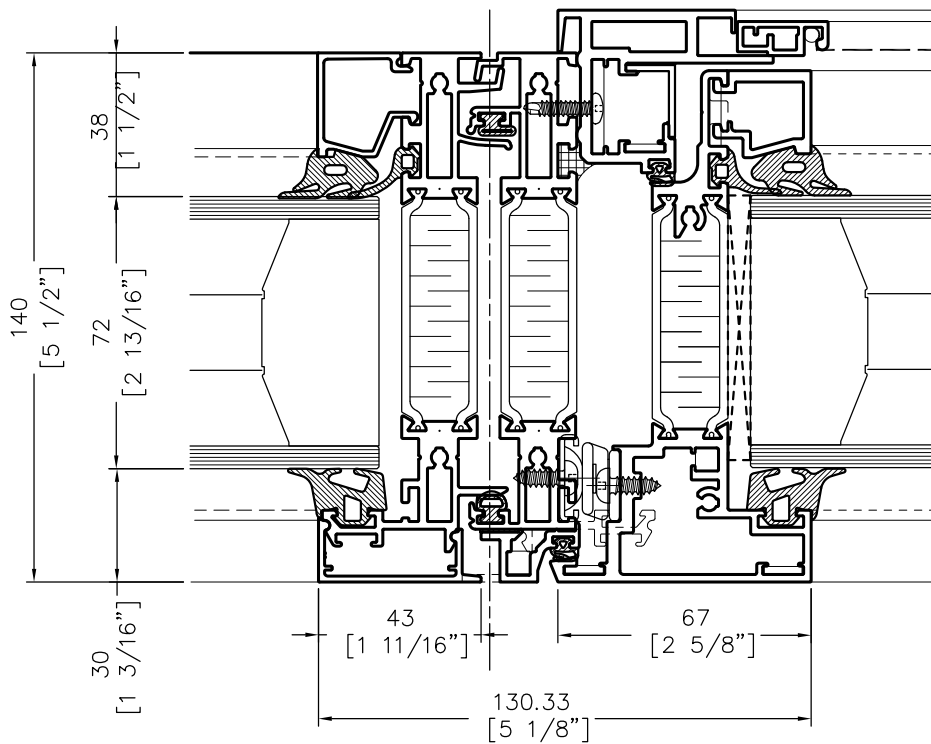
17915-118 Avenue  
Edmonton, Alberta  
Canada T5S 1L6  
tel / 780.451.4000  
fax / 780.451.4745  
visionwall.com

Series 204 Window Detail  
4-Element | Window Glazing System  
Frame With Interior Horizontal Mounting Flange  
DWG / 2044  
date / 2009  
scale / 1=2



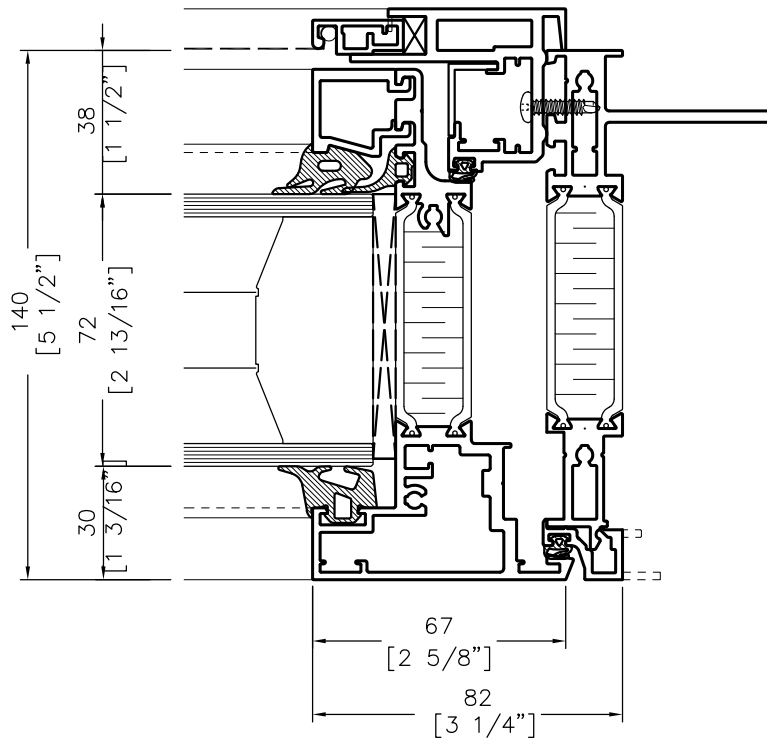
17915-118 Avenue  
 Edmonton, Alberta  
 Canada T5S 1L6  
 tel / 780.451.4000  
 fax / 780.451.4745  
 visionwall.com

Series 204 Window Detail  
 4-Element | Window Glazing System  
 Outward Opening At Window Sill  
 DWG / 2045  
 date / 2009  
 scale / 1=2



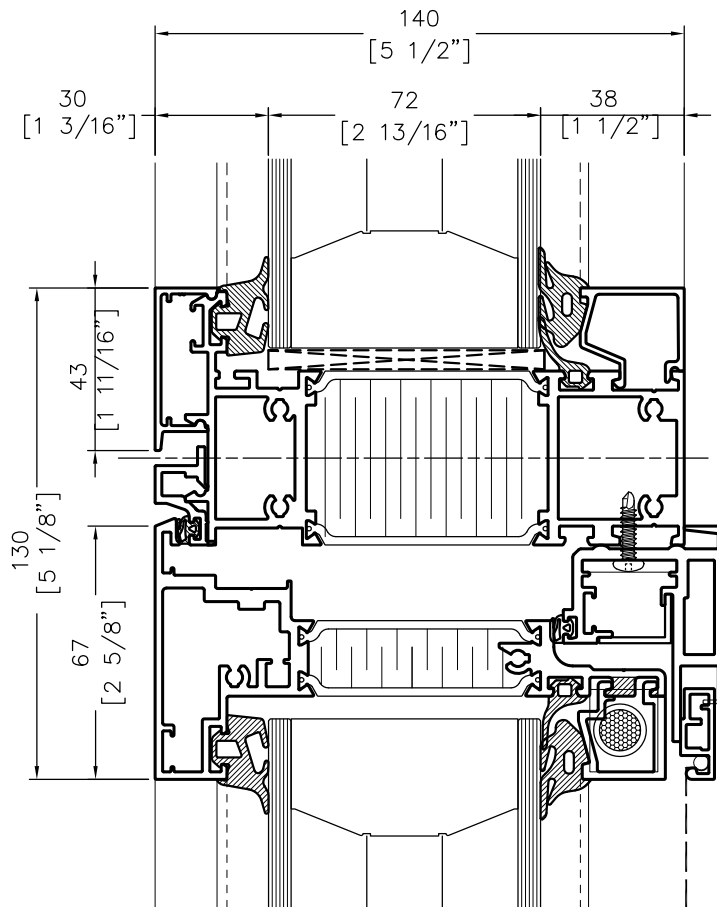
17915-118 Avenue  
 Edmonton, Alberta  
 Canada T5S 1L6  
 tel / 780.451.4000  
 fax / 780.451.4745  
 visionwall.com

**Series 204 Window Detail**  
 4-Element | Window Glazing System  
 Outward Opening At Vertical Split  
 DWG / 2046  
 date / 2009  
 scale / 1=2



17915-118 Avenue  
 Edmonton, Alberta  
 Canada T5S 1L6  
 tel / 780.451.4000  
 fax / 780.451.4745  
 visionwall.com

Series 204 Window Detail  
 4-Element | Window Glazing System  
 Outward Opening At Jamb  
 DWG / 2047  
 date / 2009  
 scale / 1=2



17915-118 Avenue  
 Edmonton, Alberta  
 Canada T5S 1L6  
 tel / 780.451.4000  
 fax / 780.451.4745  
 visionwall.com

**Series 204 Window Detail**  
 4-Element | Window Glazing System  
 Outward Opening At Horizontal Rail  
 DWG / 2048  
 date / 2009  
 scale / 1=2

**Series 403 Curtain Wall Elevation**  
**3-Element**

Capped Curtain Wall Glazing System

01 Key

**Series 403 Curtain Wall Detail**  
**3-Element**

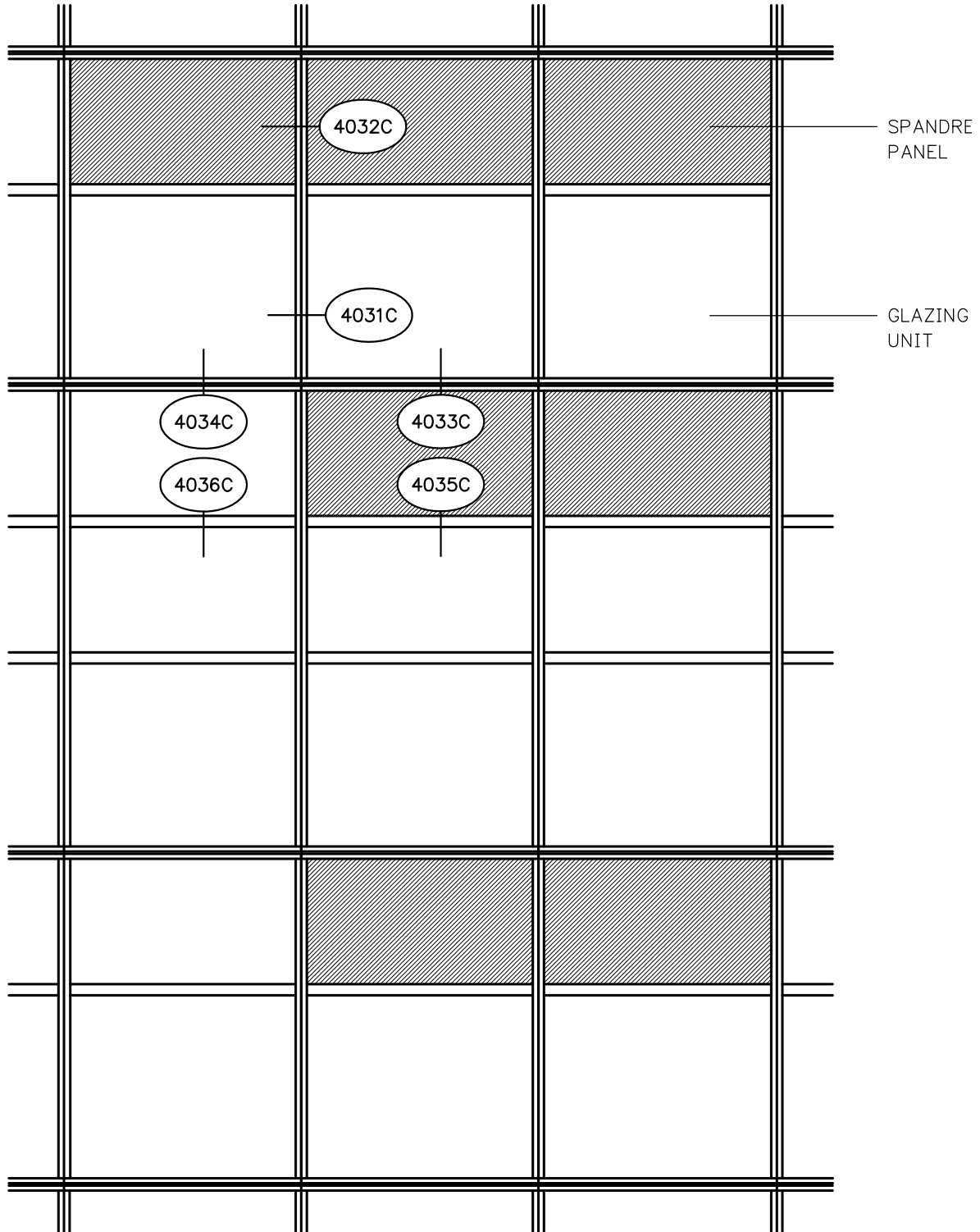
Capped Curtain Wall Glazing System

02 Split Vertical Mullion At Vision  
03 Split Vertical Mullion At Spandrel  
04 Expansion Joint, Vision Over Spandrel  
05 Expansion Joint, Vision Over Vision  
06 Intermediate Rail, Spandrel Over Vision  
07 Intermediate Rail, Vision Over Vision



**VISIONWALL**

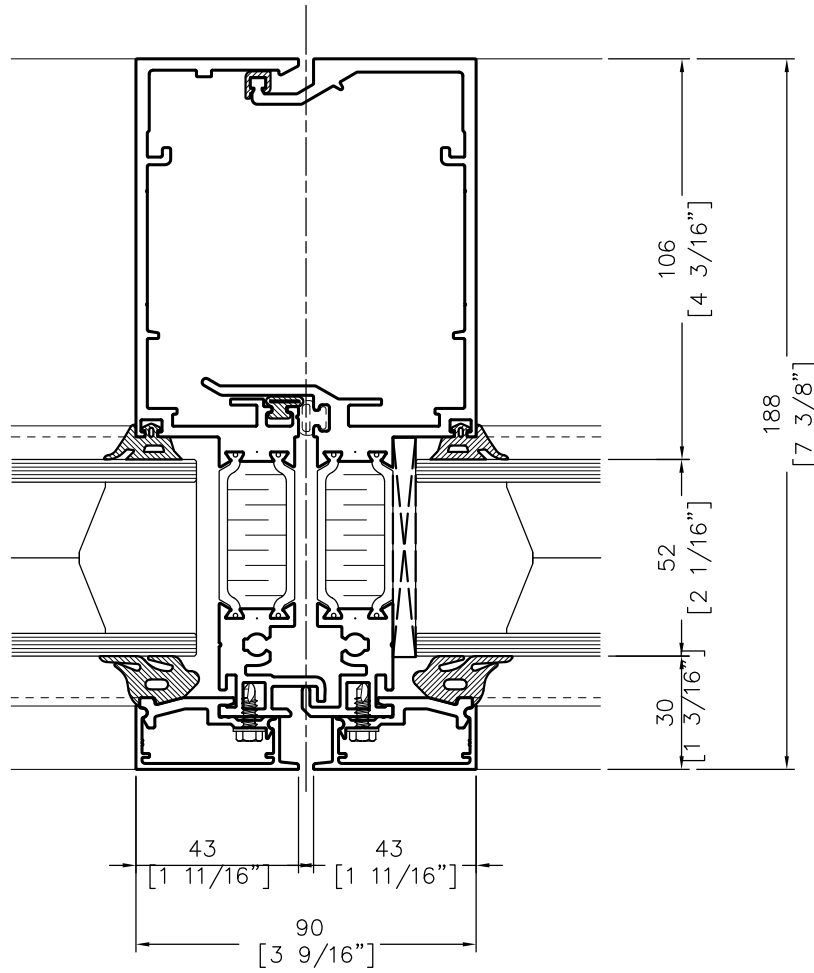
17915-118 Avenue  
Edmonton, Alberta  
Canada T5S 1L6  
tel / 780.451.4000  
fax / 780.451.4745  
visionwall.com



17915-118 Avenue  
 Edmonton, Alberta  
 Canada T5S 1L6  
 tel / 780.451.4000  
 fax / 780.451.4745  
 visionwall.com

Series 403 Curtain Wall Elevation  
 3-Element | Capped Curtain Wall Glazing System

	Key
DWG /	4030C
date /	2009
scale /	NTS



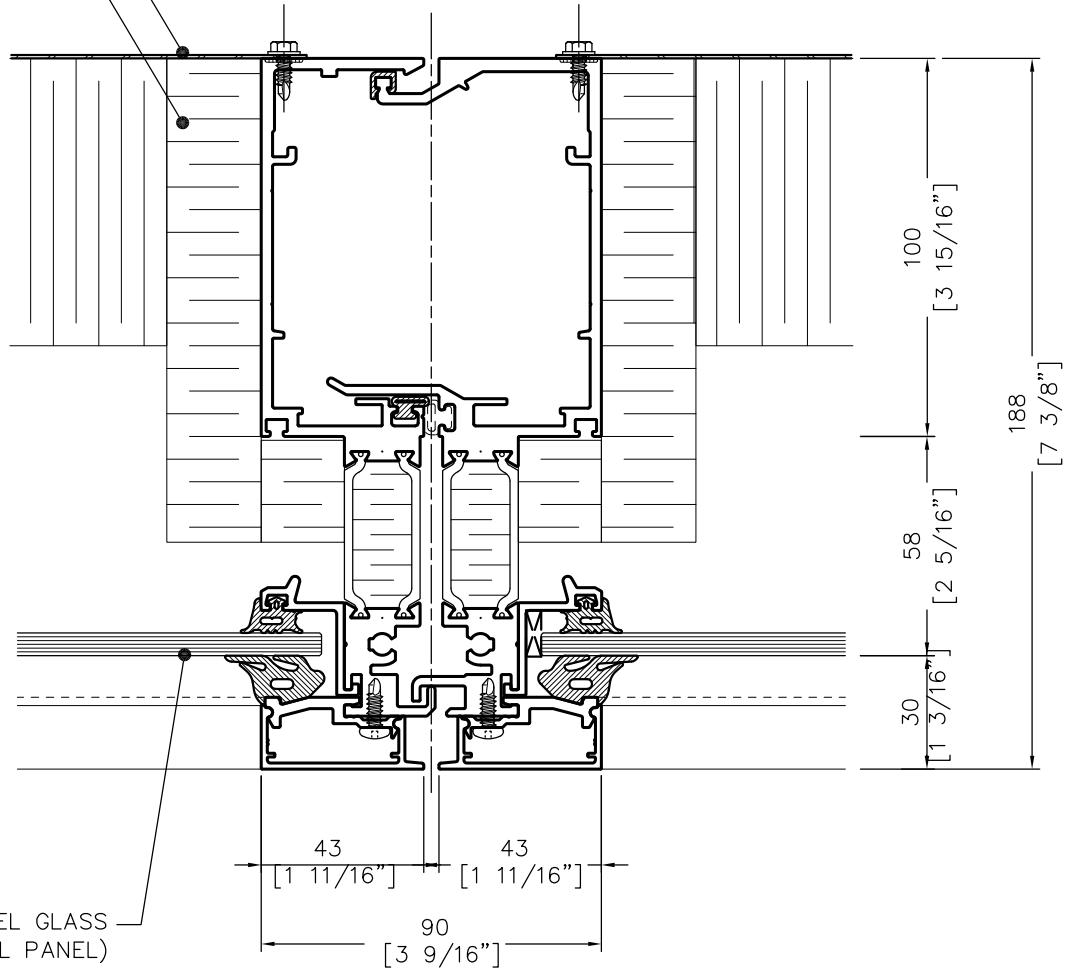
17915-118 Avenue  
 Edmonton, Alberta  
 Canada T5S 1L6  
 tel / 780.451.4000  
 fax / 780.451.4745  
 visionwall.com

**Series 403 Curtain Wall Detail**  
 3-Element | Capped Curtain Wall Glazing System  
 Split Vertical Mullion At Vision  
 DWG / 4031C  
 date / 2009  
 scale / 1=2



METAL BACK PAN

INSULATION



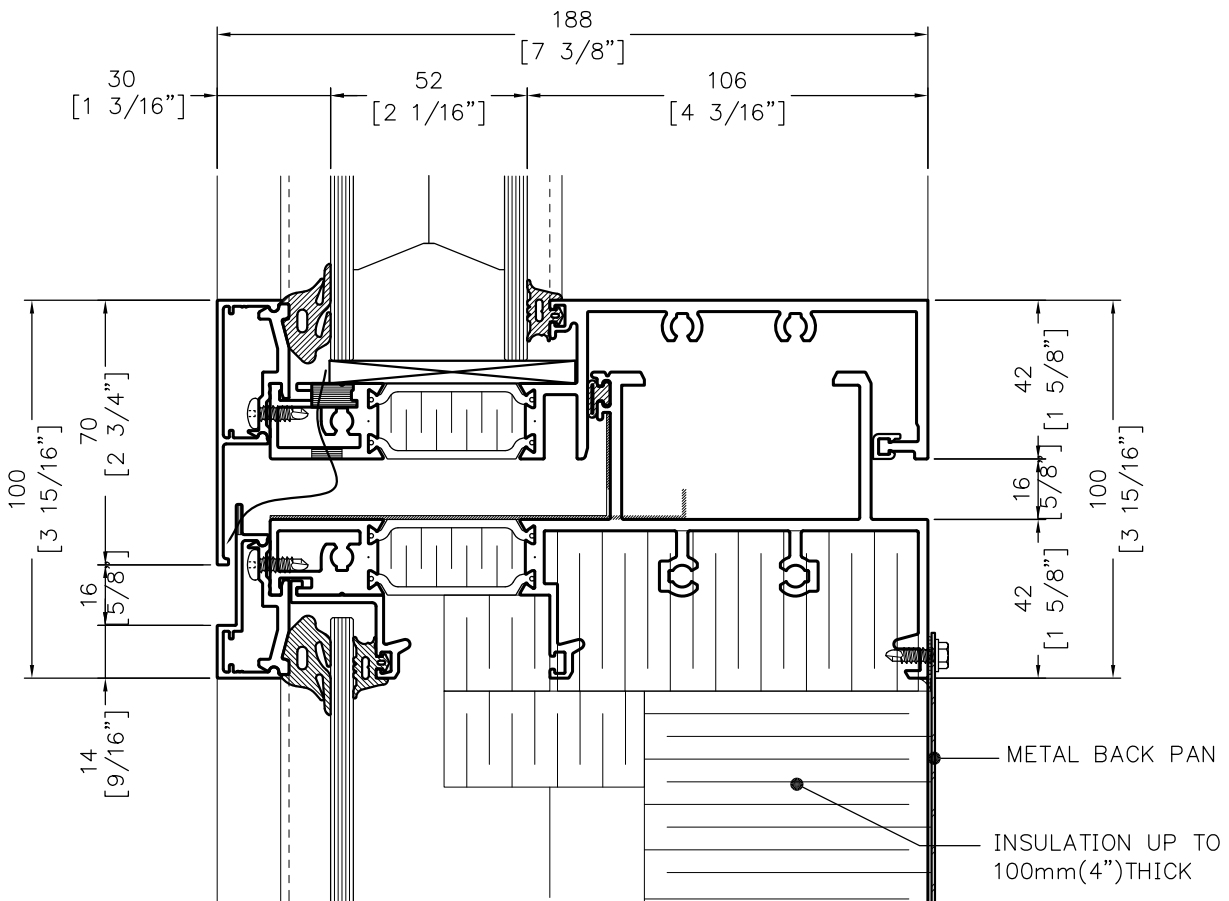
SPANDREL GLASS  
(OR METAL PANEL)



VISIONWALL

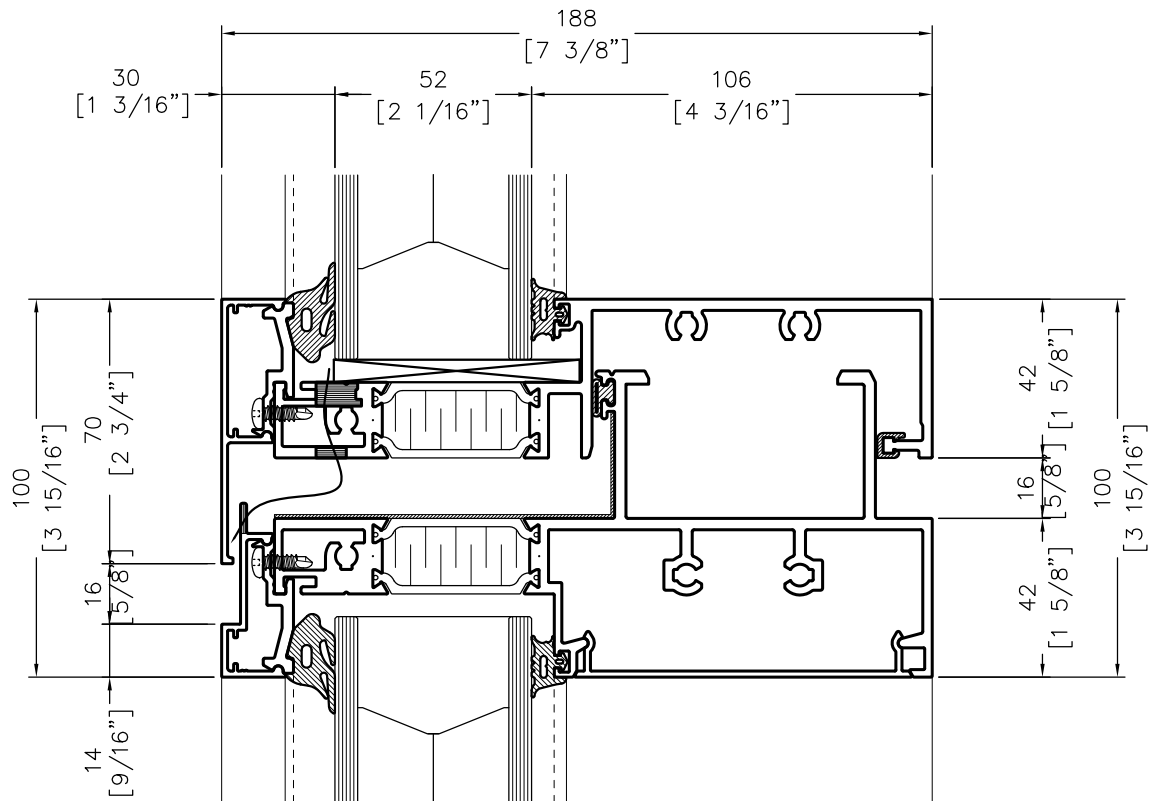
17915-118 Avenue  
Edmonton, Alberta  
Canada T5S 1L6  
tel / 780.451.4000  
fax / 780.451.4745  
visionwall.com

Series 403 Curtain Wall Detail  
3-Element | Capped Curtain Wall Glazing System  
Split Vertical Mullion At Spandrel  
DWG / 4032C  
date / 2009  
scale / 1=2



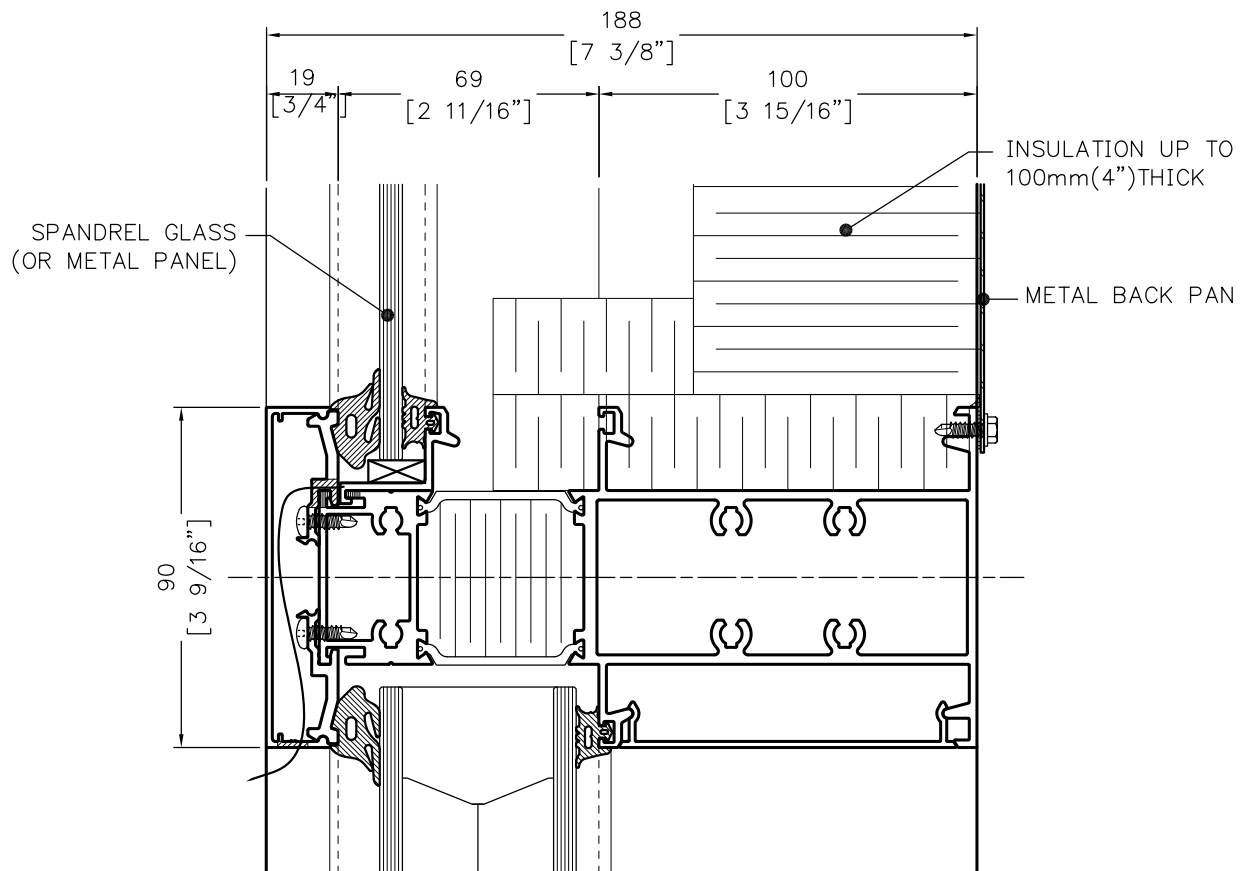
17915-118 Avenue  
Edmonton, Alberta  
Canada T5S 1L6  
tel / 780.451.4000  
fax / 780.451.4745  
visionwall.com

Series 403 Curtain Wall Detail  
3-Element | Capped Curtain Wall Glazing System  
Expansion Joint, Vision Over Spandrel  
DWG / 4033C  
date / 2009  
scale / 1=2



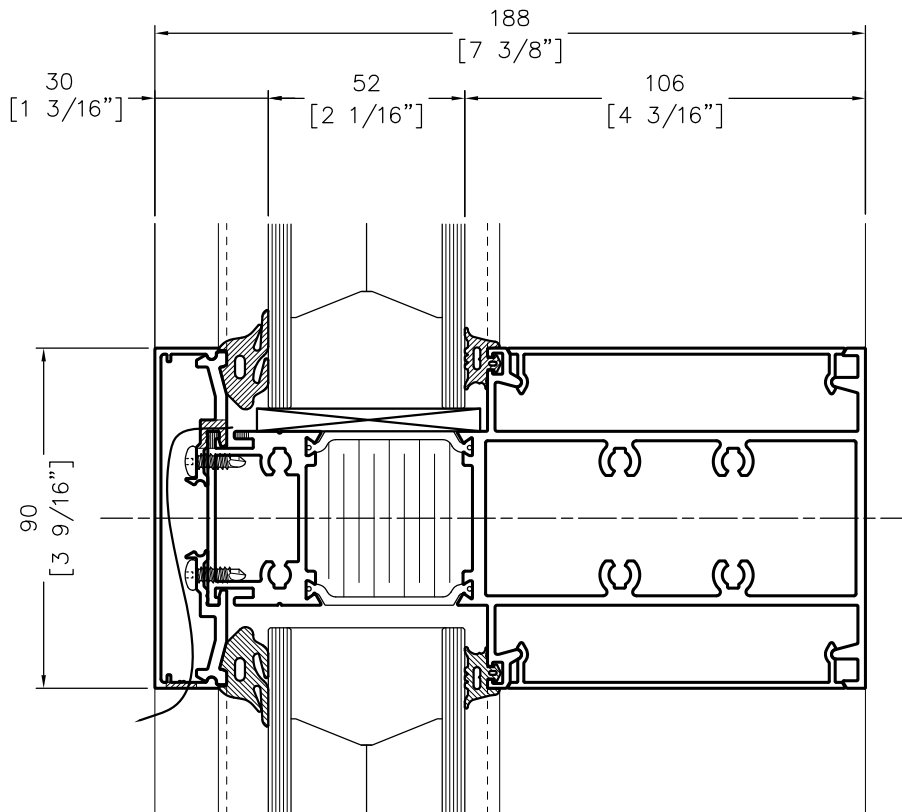
17915-118 Avenue  
 Edmonton, Alberta  
 Canada T5S 1L6  
 tel / 780.451.4000  
 fax / 780.451.4745  
 visionwall.com

**Series 403 Curtain Wall Detail**  
 3-Element | Capped Curtain Wall Glazing System  
 Expansion Joint, Vision Over Vision  
 DWG / 4034C  
 date / 2009  
 scale / 1=2



17915-118 Avenue  
 Edmonton, Alberta  
 Canada T5S 1L6  
 tel / 780.451.4000  
 fax / 780.451.4745  
 visionwall.com

Series 403 Curtain Wall Detail  
 3-Element | Capped Curtain Wall Glazing System  
 Intermediate Rail, Spandrel Over Vision  
 DWG / 4035C  
 date / 2009  
 scale / 1=2



17915-118 Avenue  
 Edmonton, Alberta  
 Canada T5S 1L6  
 tel / 780.451.4000  
 fax / 780.451.4745  
 visionwall.com

**Series 403 Curtain Wall Detail**  
 3-Element | Capped Curtain Wall Glazing System  
 Intermediate Rail, Vision Over Vision  
 DWG / 4036C  
 date / 2009  
 scale / 1=2

## Series 403 Curtain Wall Elevation

### 3-Element

Structural Siliconed Curtain Wall Glazing System

01 Key

## Series 403 Curtain Wall Detail

### 3-Element

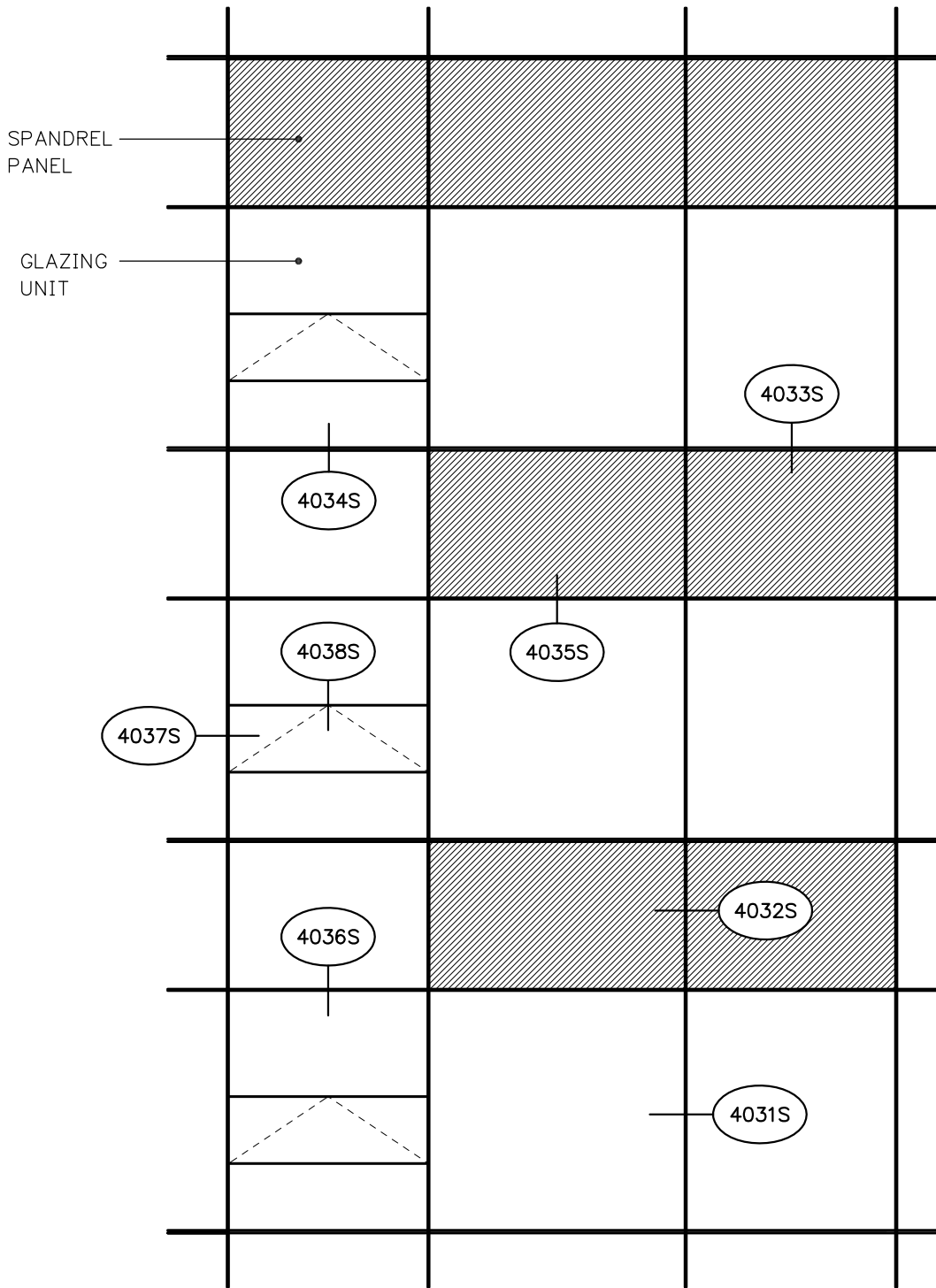
Structural Siliconed Curtain Wall Glazing System

02 Split Vertical Mullion At Vision  
03 Split Vertical Mullion At Spandrel  
04 Expansion Joint, Vision Over Spandrel  
05 Expansion Joint, Vision Over Vision  
06 Intermediate Rail, Spandrel Over Vision  
07 Intermediate Rail, Vision Over Vision  
08 Split Vertical With Sash, Outward  
Opening  
09 Intermediate Rail With Sash, Outward  
Opening



VISIONWALL™

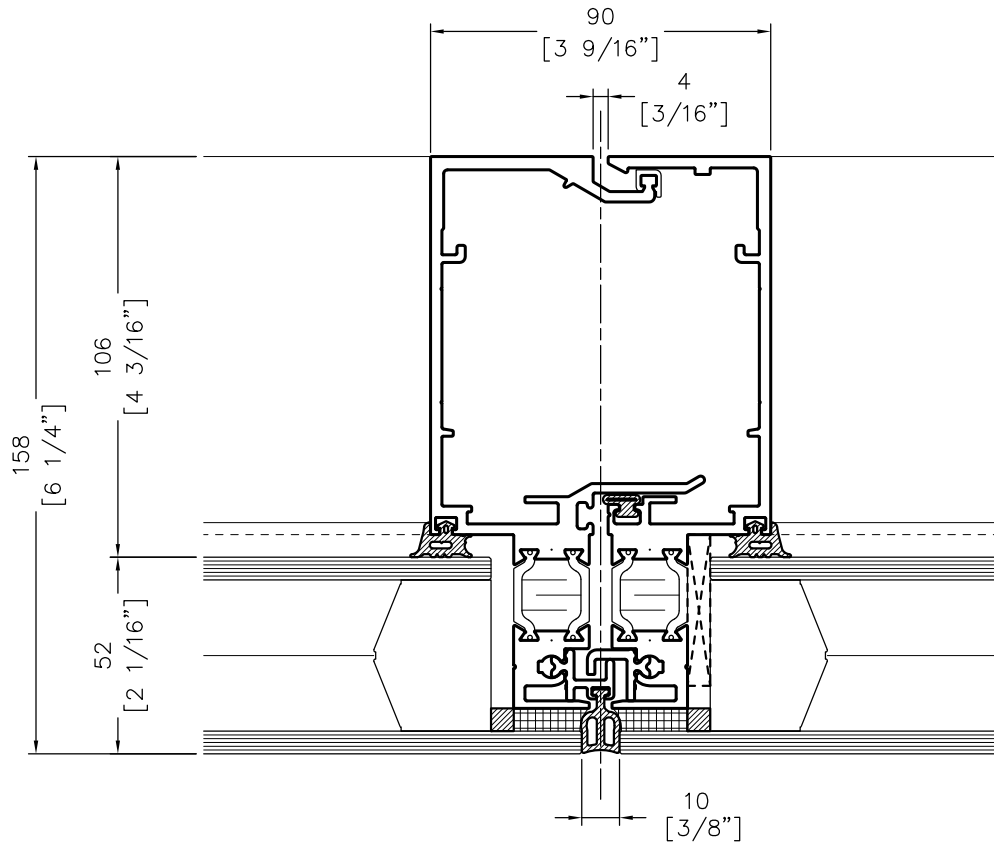
17915-118 Avenue  
Edmonton, Alberta  
Canada T5S 1L6  
tel / 780.451.4000  
fax / 780.451.4745  
visionwall.com



17915-118 Avenue  
 Edmonton, Alberta  
 Canada T5S 1L6  
 tel / 780.451.4000  
 fax / 780.451.4745  
 visionwall.com

Series 403 Curtain Wall Elevation  
 3-Element | Structural Siliconed Curtain Wall Glazing System

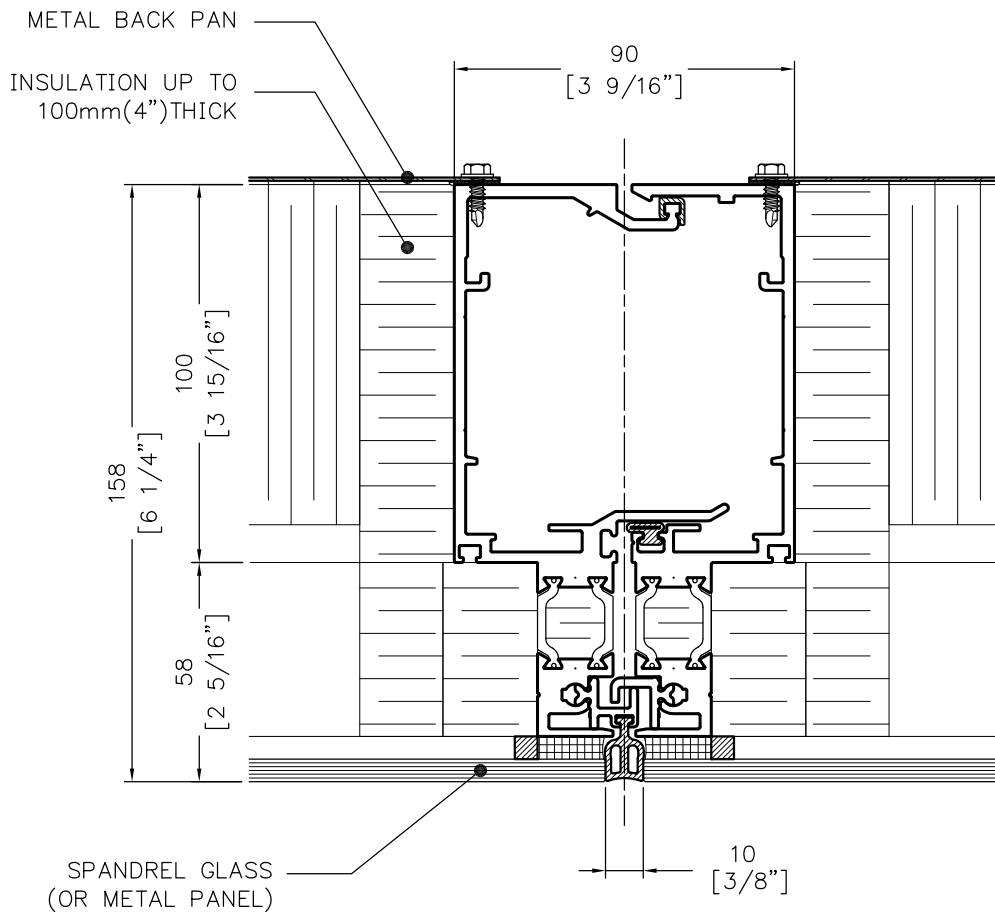
Key  
 DWG / 4030S  
 date / 2009  
 scale / NTS



17915-118 Avenue  
 Edmonton, Alberta  
 Canada T5S 1L6  
 tel / 780.451.4000  
 fax / 780.451.4745  
 visionwall.com

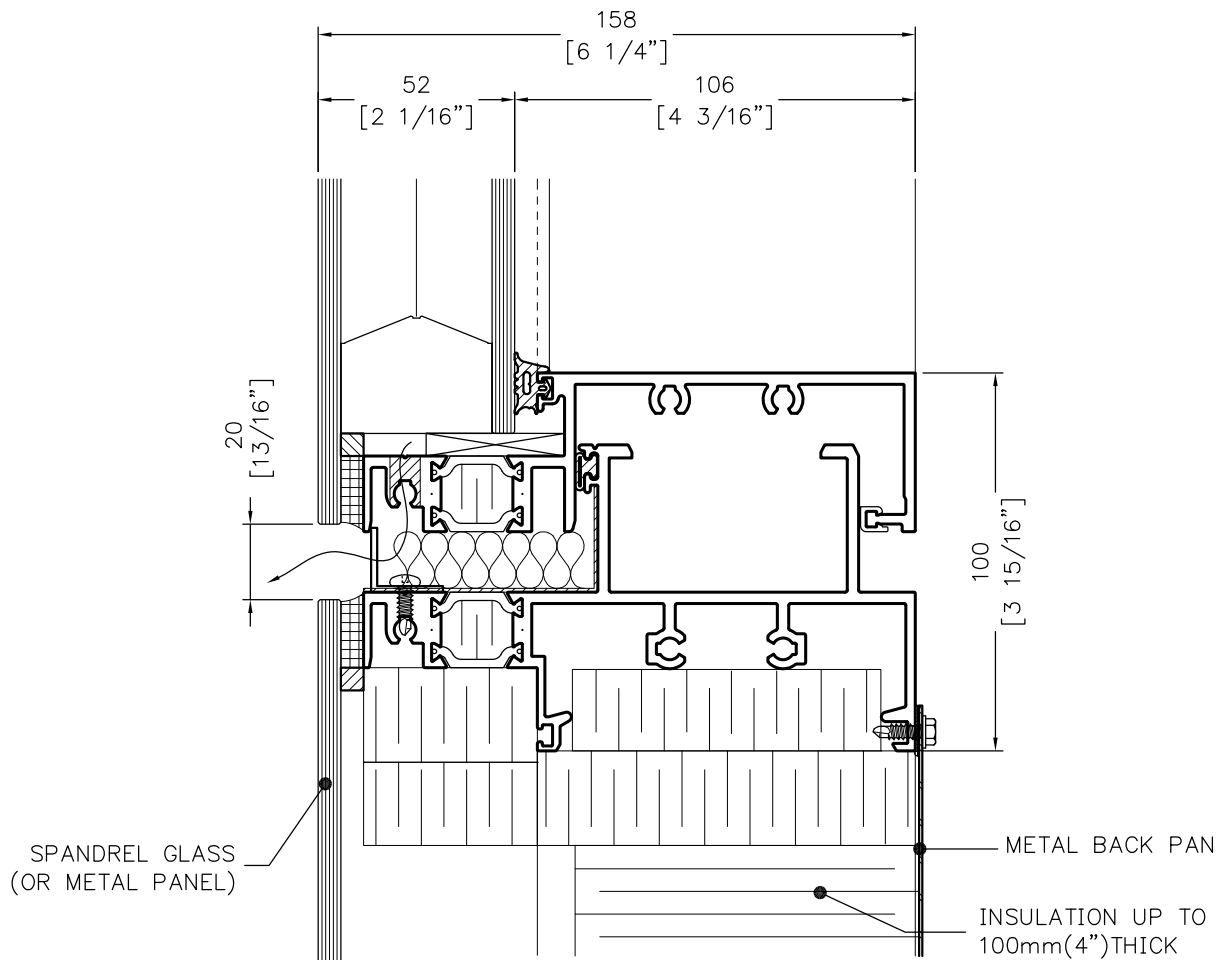
**Series 403 Curtain Wall Detail**  
 3-Element | Structural Siliconed Curtain Wall Glazing System  
 Split Vertical Mullion At Vision  
 DWG / 4031S  
 date / 2009  
 scale / 1=2





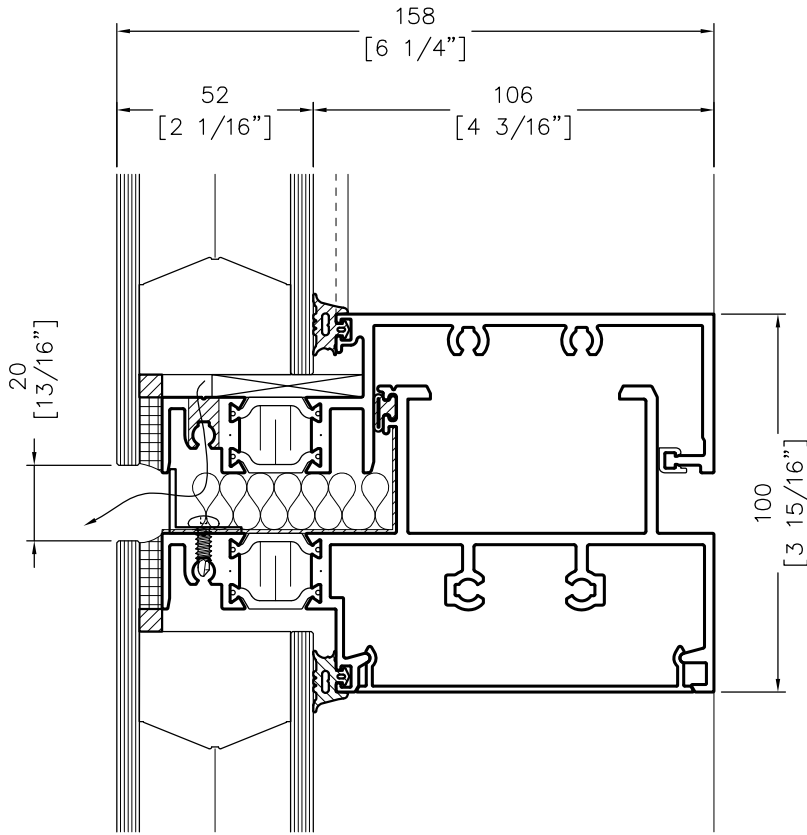
17915-118 Avenue  
 Edmonton, Alberta  
 Canada T5S 1L6  
 tel / 780.451.4000  
 fax / 780.451.4745  
 visionwall.com

**Series 403 Curtain Wall Detail**  
 3-Element | Structural Siliconed Curtain Wall Glazing System  
 Split Vertical Mullion At Spandrel  
 DWG / 4032S  
 date / 2009  
 scale / 1=2



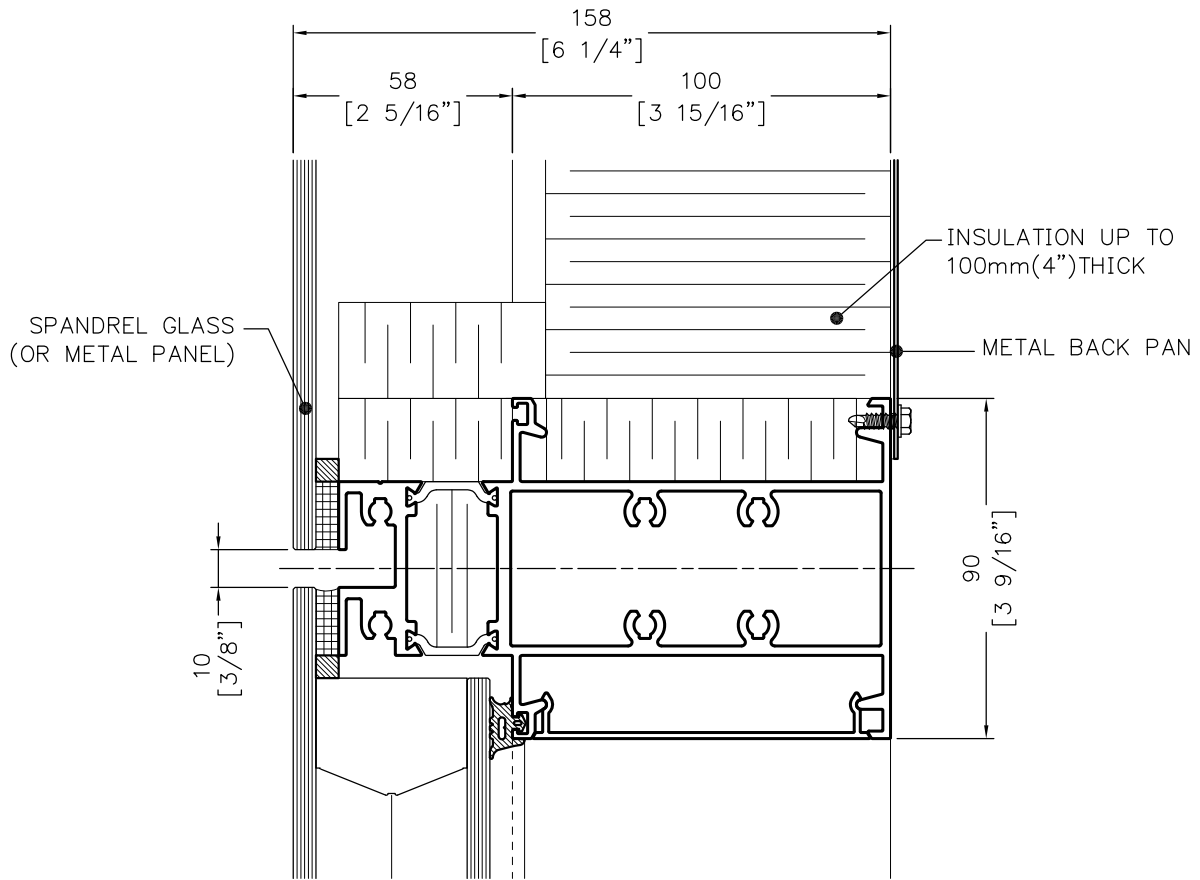
17915-118 Avenue  
 Edmonton, Alberta  
 Canada T5S 1L6  
 tel / 780.451.4000  
 fax / 780.451.4745  
 visionwall.com

**Series 403 Curtain Wall Detail**  
 3-Element | Structural Siliconed Curtain Wall Glazing System  
 Expansion Joint, Vision Over Spandrel  
 DWG / 4033S  
 date / 2009  
 scale / 1=2



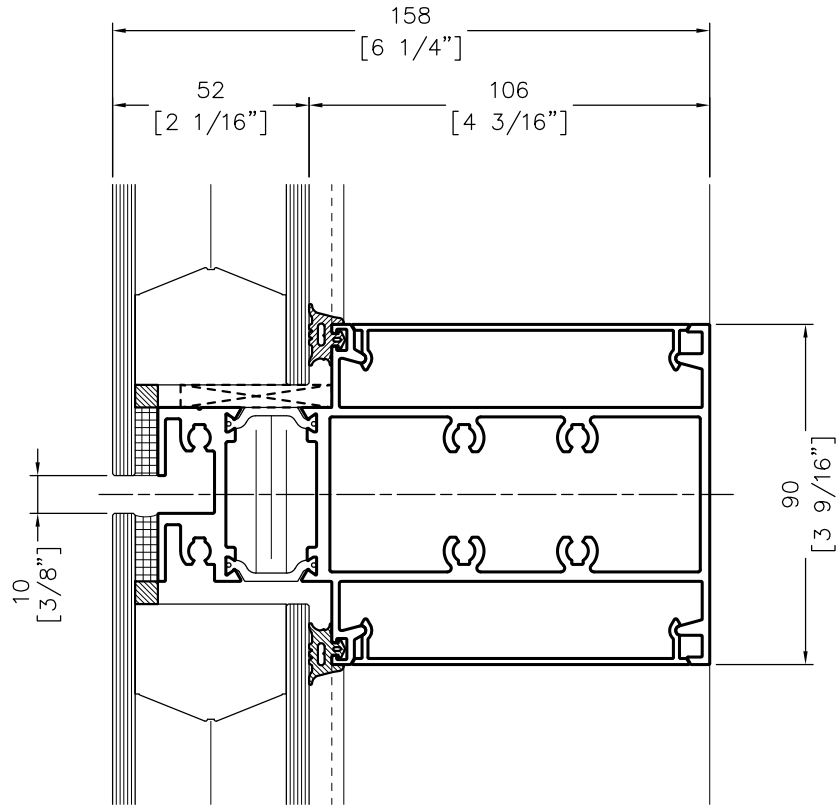
17915-118 Avenue  
 Edmonton, Alberta  
 Canada T5S 1L6  
 tel / 780.451.4000  
 fax / 780.451.4745  
 visionwall.com

**Series 403 Curtain Wall Detail**  
 3-Element | Structural Siliconed Curtain Wall Glazing System  
 Expansion Joint, Vision Over Vision  
 DWG / 4034S  
 date / 2009  
 scale / 1=2



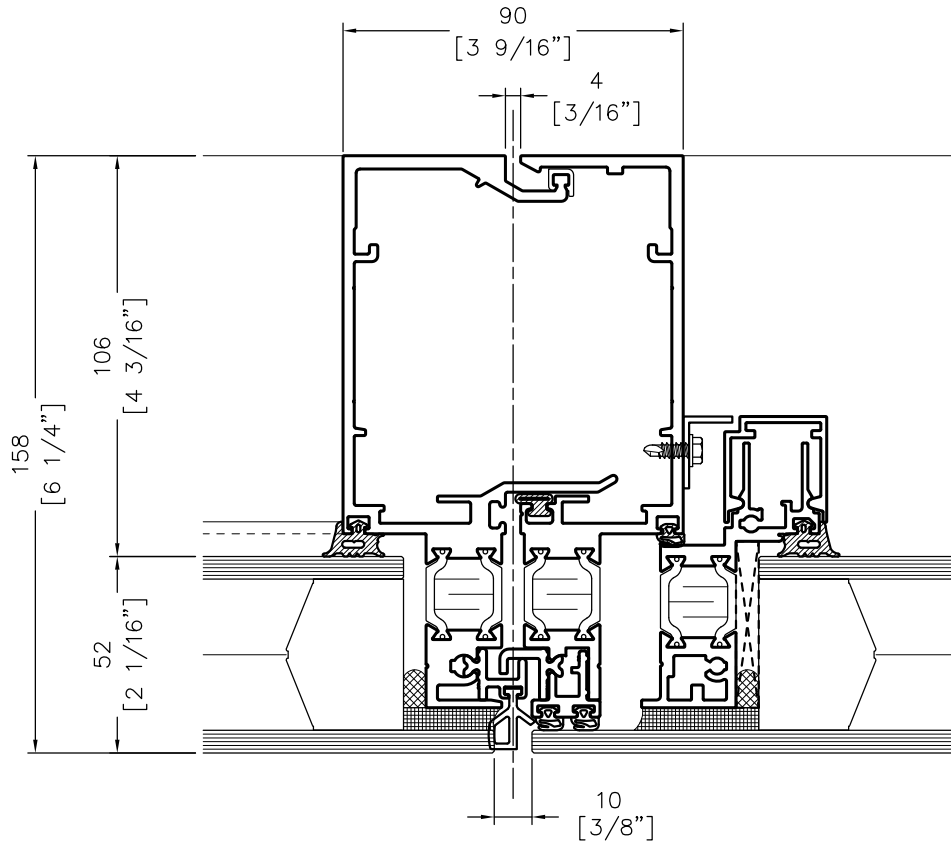
17915-118 Avenue  
 Edmonton, Alberta  
 Canada T5S 1L6  
 tel / 780.451.4000  
 fax / 780.451.4745  
 visionwall.com

**Series 403 Curtain Wall Detail**  
 3-Element | Structural Siliconed Curtain Wall Glazing System  
 Intermediate Rail, Spandrel Over Vision  
 DWG / 4035S  
 date / 2009  
 scale / 1=2



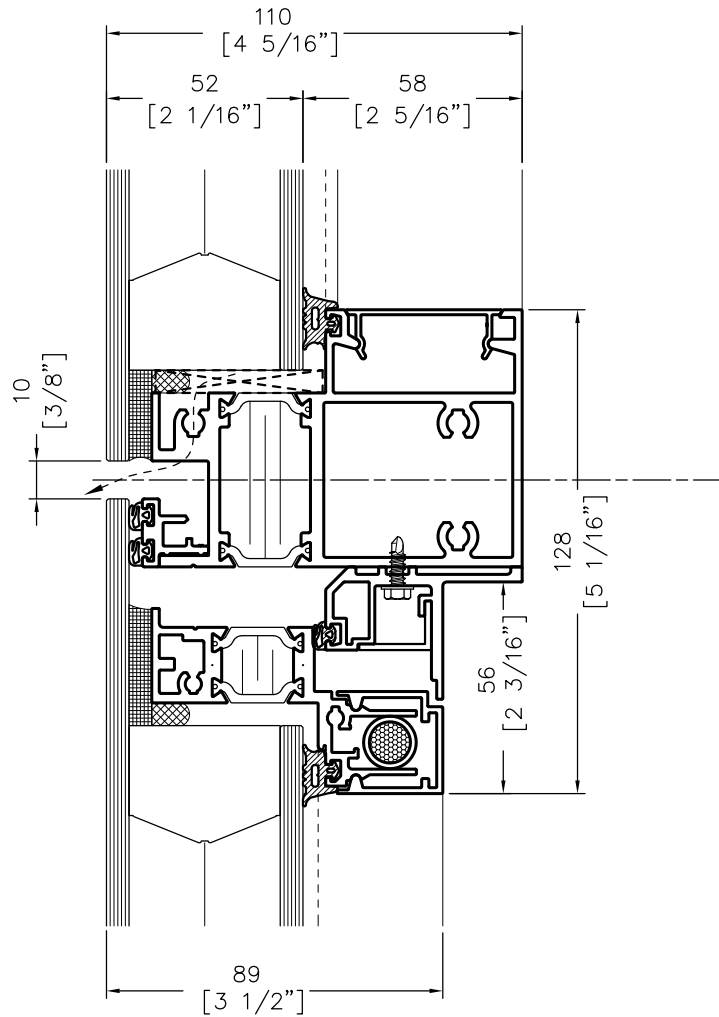
17915-118 Avenue  
 Edmonton, Alberta  
 Canada T5S 1L6  
 tel / 780.451.4000  
 fax / 780.451.4745  
 visionwall.com

**Series 403 Curtain Wall Detail**  
 3-Element | Structural Siliconed Curtain Wall Glazing System  
 Intermediate Rail, Vision Over Vision  
 DWG / 4036S  
 date / 2009  
 scale / 1=2



17915-118 Avenue  
 Edmonton, Alberta  
 Canada T5S 1L6  
 tel / 780.451.4000  
 fax / 780.451.4745  
 visionwall.com

**Series 403 Curtain Wall Detail**  
 3-Element | Structural Siliconed Curtain Wall Glazing System  
 Split Vertical With Sash, Outward Opening  
 DWG / 4037S  
 date / 2009  
 scale / 1=2



17915-118 Avenue  
 Edmonton, Alberta  
 Canada T5S 1L6  
 tel / 780.451.4000  
 fax / 780.451.4745  
 visionwall.com

**Series 403 Curtain Wall Detail**  
 3-Element | Structural Siliconed Curtain Wall Glazing System  
 Intermediate Rail With Sash, Outward Opening  
 DWG / 4038S  
 date / 2009  
 scale / 1=2

**Series 404 Curtain Wall Elevation**  
**4-Element**

Capped Curtain Wall Glazing System

01 Key

**Series 404 Curtain Wall Detail**  
**4-Element**

Capped Curtain Wall Glazing System

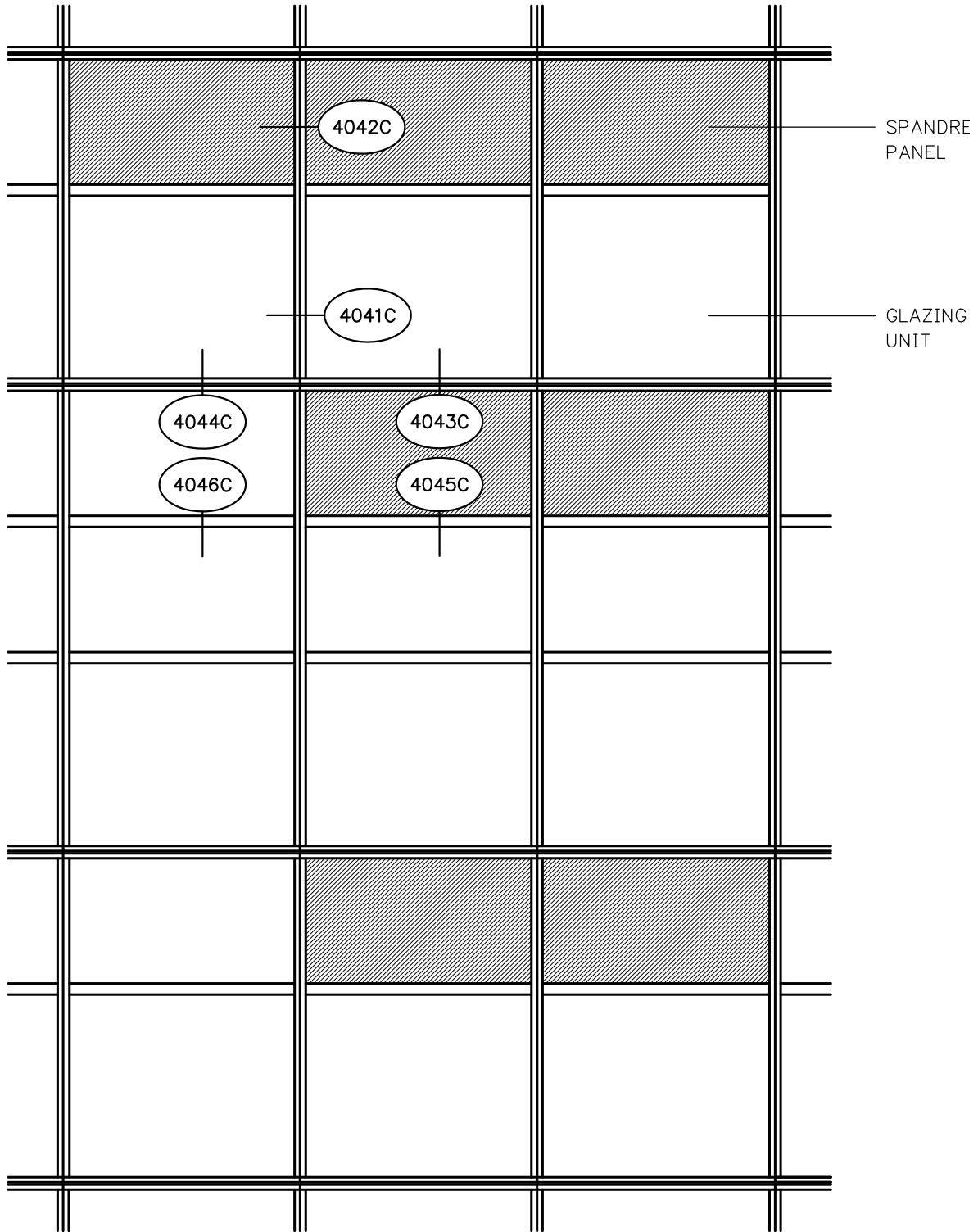
02 Split Vertical Mullion At Vision  
03 Split Vertical Mullion At Spandrel  
04 Expansion Joint, Vision Over Spandrel  
05 Expansion Joint, Vision Over Vision  
06 Intermediate Rail, Spandrel Over Vision  
07 Intermediate Rail, Vision Over Vision  
08 Outside Corner Detail  
09 Inside Corner Detail



**VISIONWALL**

17915-118 Avenue  
Edmonton, Alberta  
Canada T5S 1L6  
tel / 780.451.4000  
fax / 780.451.4745  
visionwall.com

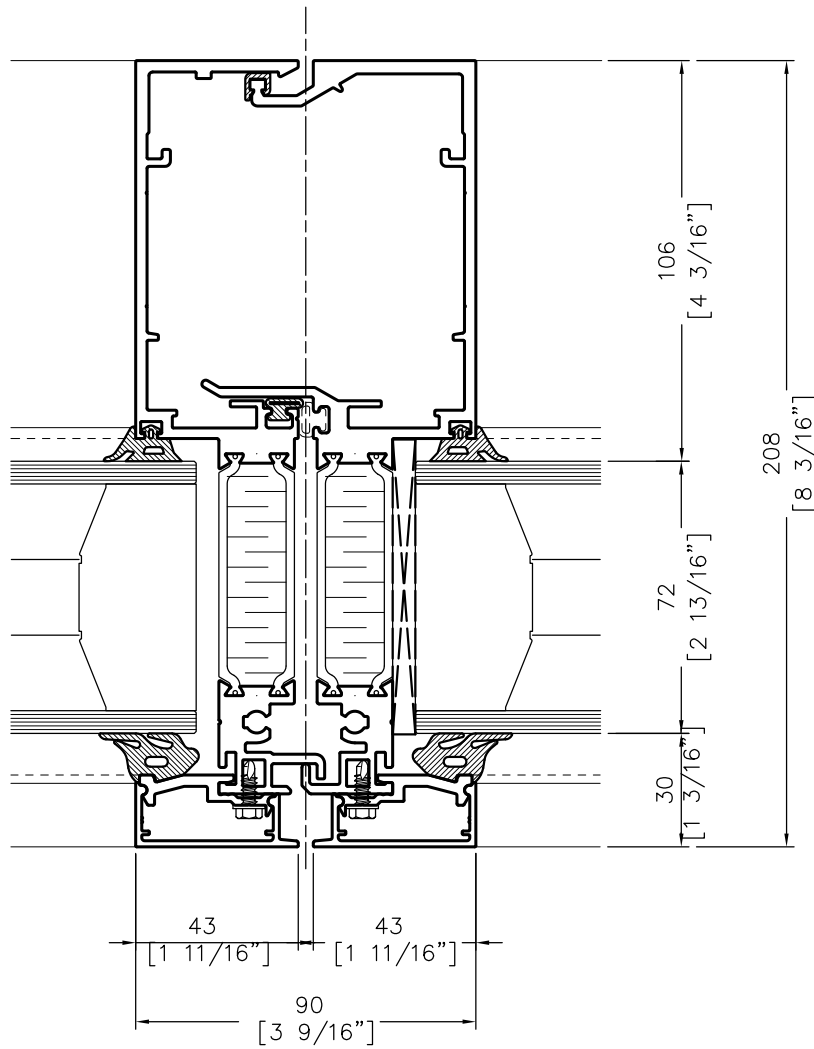




17915-118 Avenue  
 Edmonton, Alberta  
 Canada T5S 1L6  
 tel / 780.451.4000  
 fax / 780.451.4745  
 visionwall.com

Series 404 Curtain Wall Elevation  
 4-Element | Capped Curtain Wall Glazing System

Key  
 DWG / 4040C  
 date / 2009  
 scale / NTS

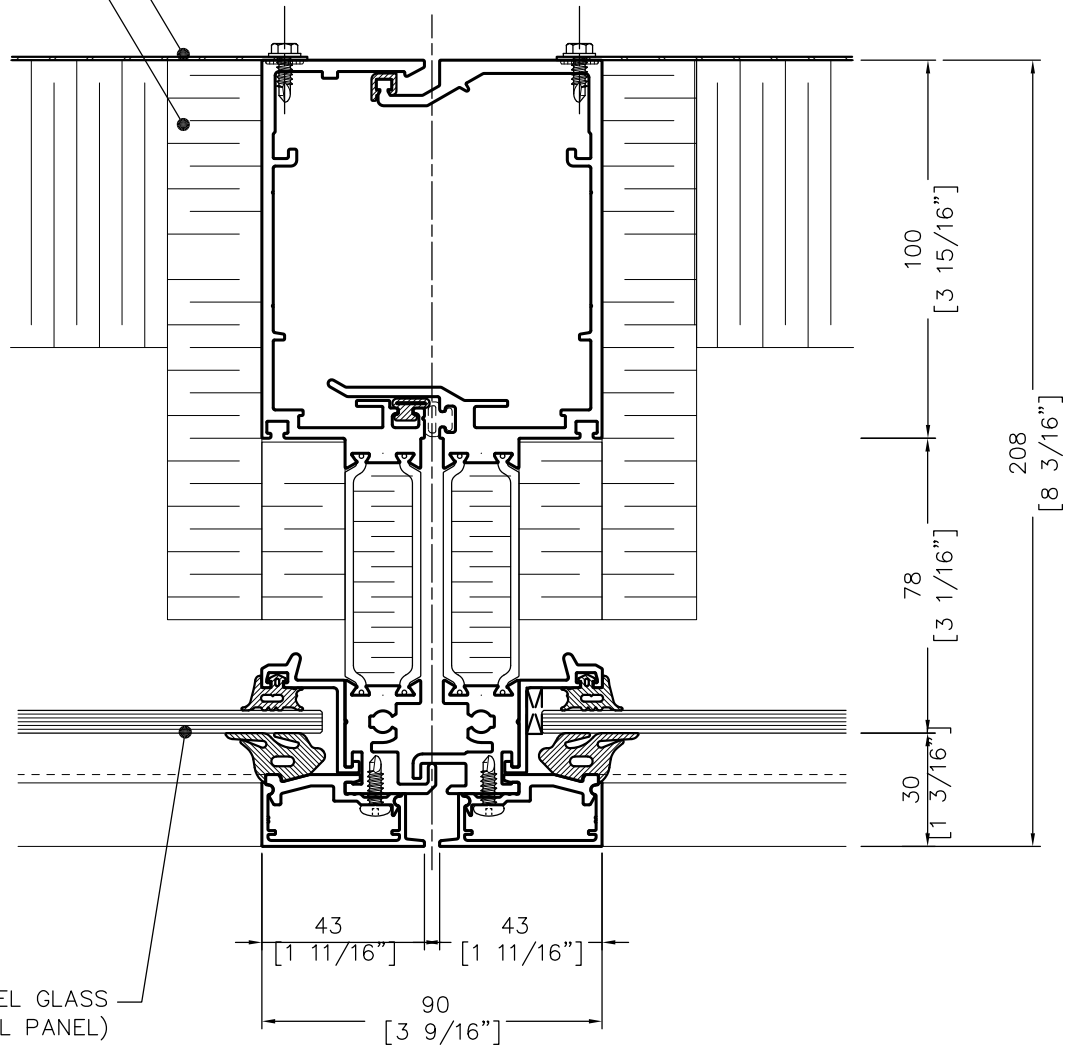


17915-118 Avenue  
 Edmonton, Alberta  
 Canada T5S 1L6  
 tel / 780.451.4000  
 fax / 780.451.4745  
 visionwall.com

**Series 404 Curtain Wall Detail**  
 4-Element | Capped Curtain Wall Glazing System  
 Split Vertical Mullion At Vision  
 DWG / 4041C  
 date / 2009  
 scale / 1=2

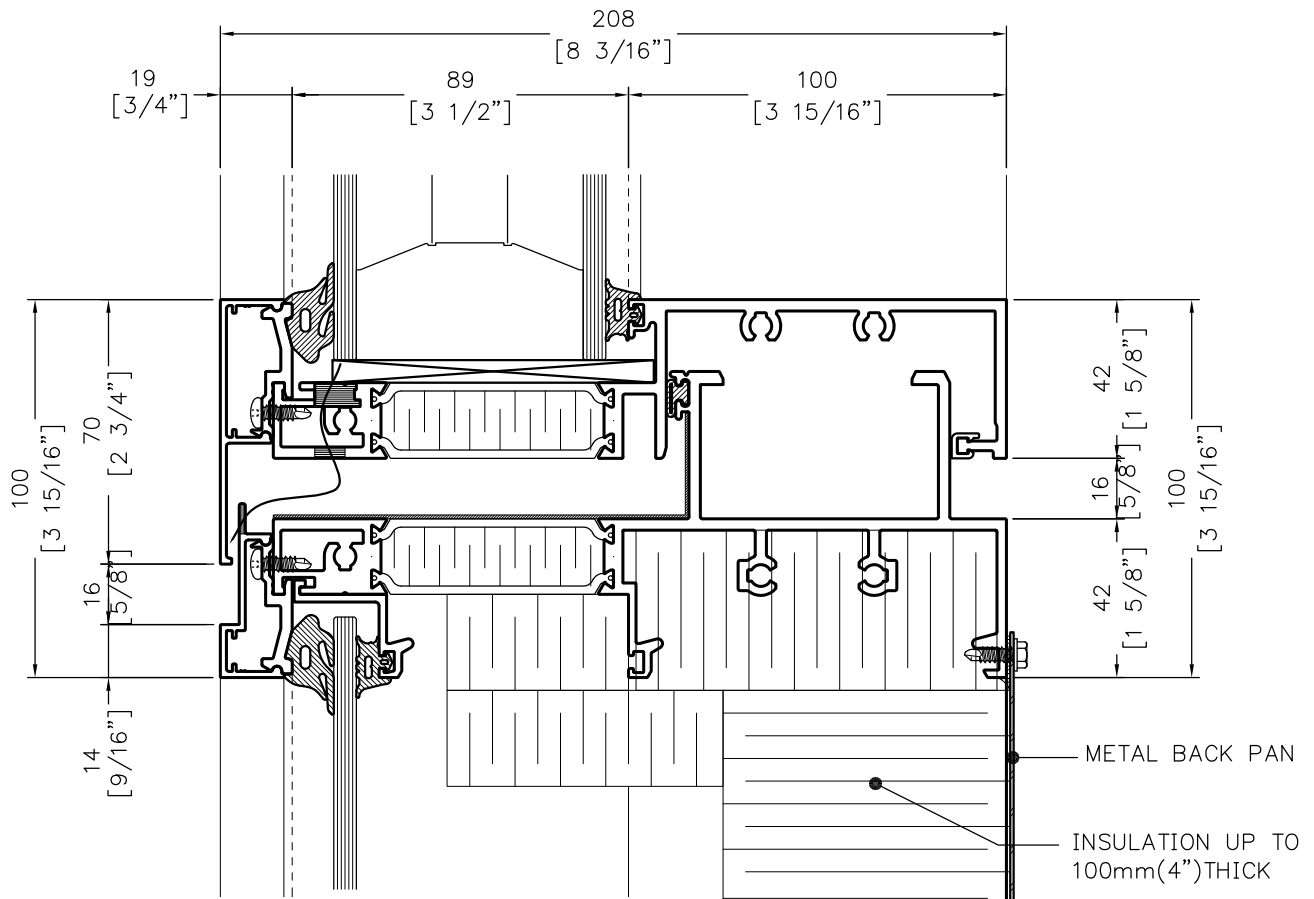
METAL BACK PAN

INSULATION



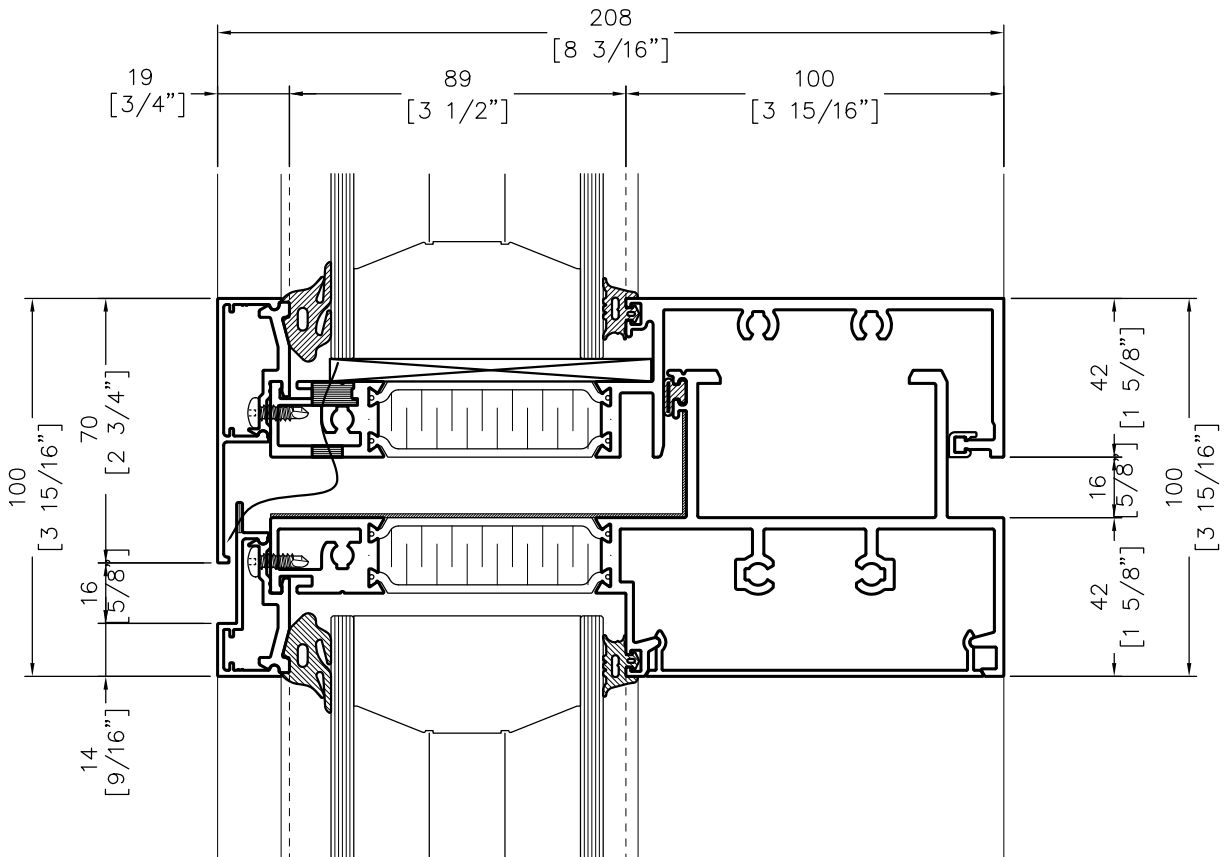
17915-118 Avenue  
Edmonton, Alberta  
Canada T5S 1L6  
tel / 780.451.4000  
fax / 780.451.4745  
visionwall.com

Series 404 Curtain Wall Detail  
4-Element | Capped Curtain Wall Glazing System  
Split Vertical Mullion At Spandrel  
DWG / 4042C  
date / 2009  
scale / 1=2



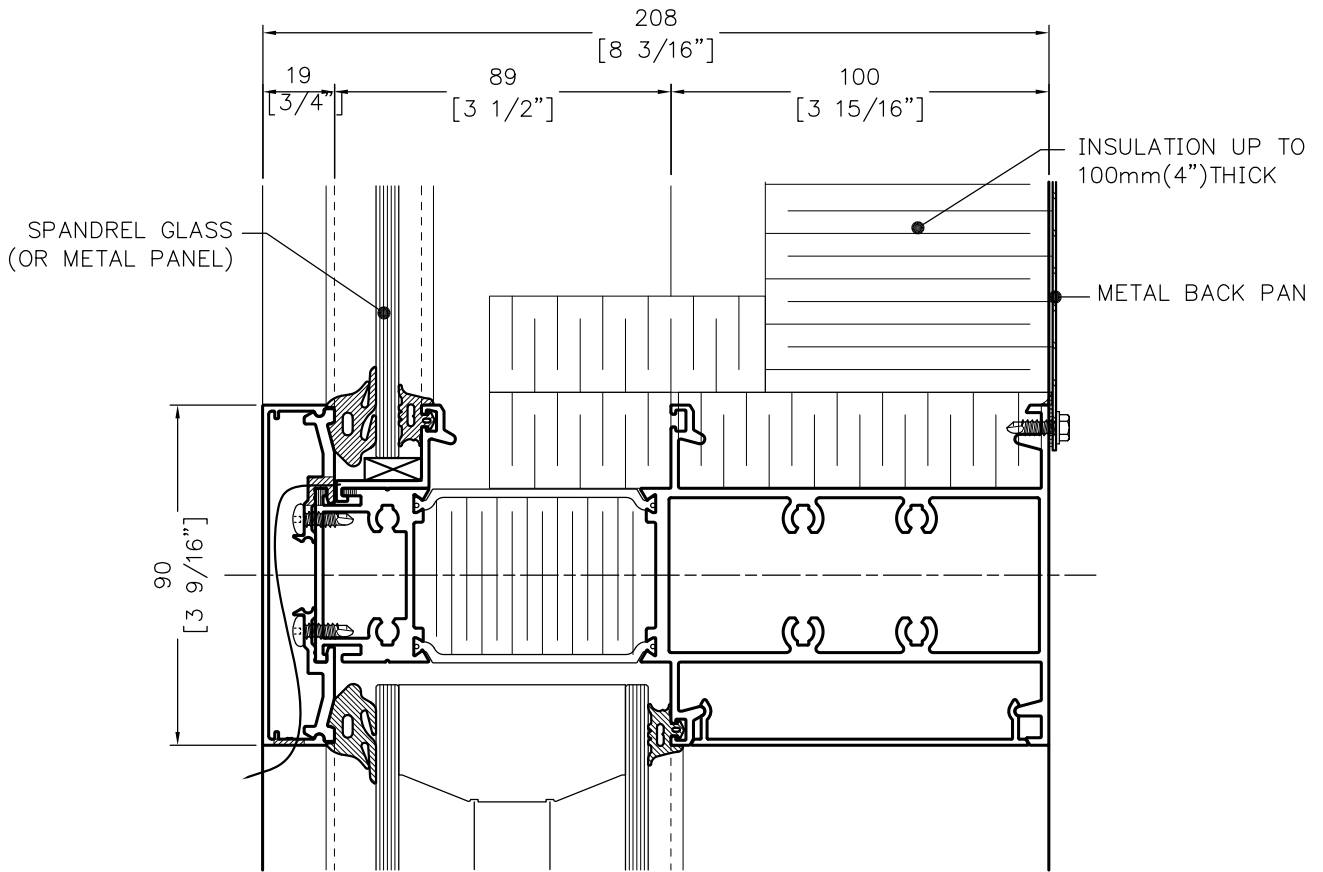
17915-118 Avenue  
 Edmonton, Alberta  
 Canada T5S 1L6  
 tel / 780.451.4000  
 fax / 780.451.4745  
 visionwall.com

Series 404 Curtain Wall Detail  
 4-Element | Capped Curtain Wall Glazing System  
 Expansion Joint, Vision Over Spandrel  
 DWG / 4043C  
 date / 2009  
 scale / 1=2



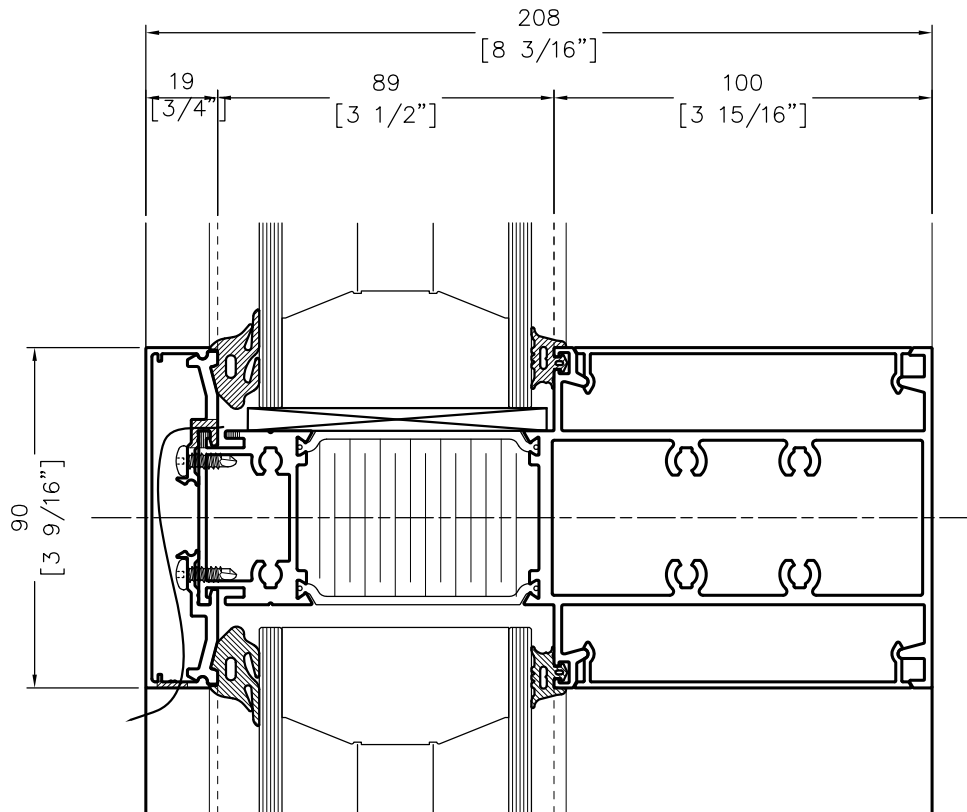
17915-118 Avenue  
 Edmonton, Alberta  
 Canada T5S 1L6  
 tel / 780.451.4000  
 fax / 780.451.4745  
 visionwall.com

**Series 404 Curtain Wall Detail**  
 4-Element | Capped Curtain Wall Glazing System  
 Expansion Joint, Vision Over Vision  
 DWG / 4044C  
 date / 2009  
 scale / 1=2



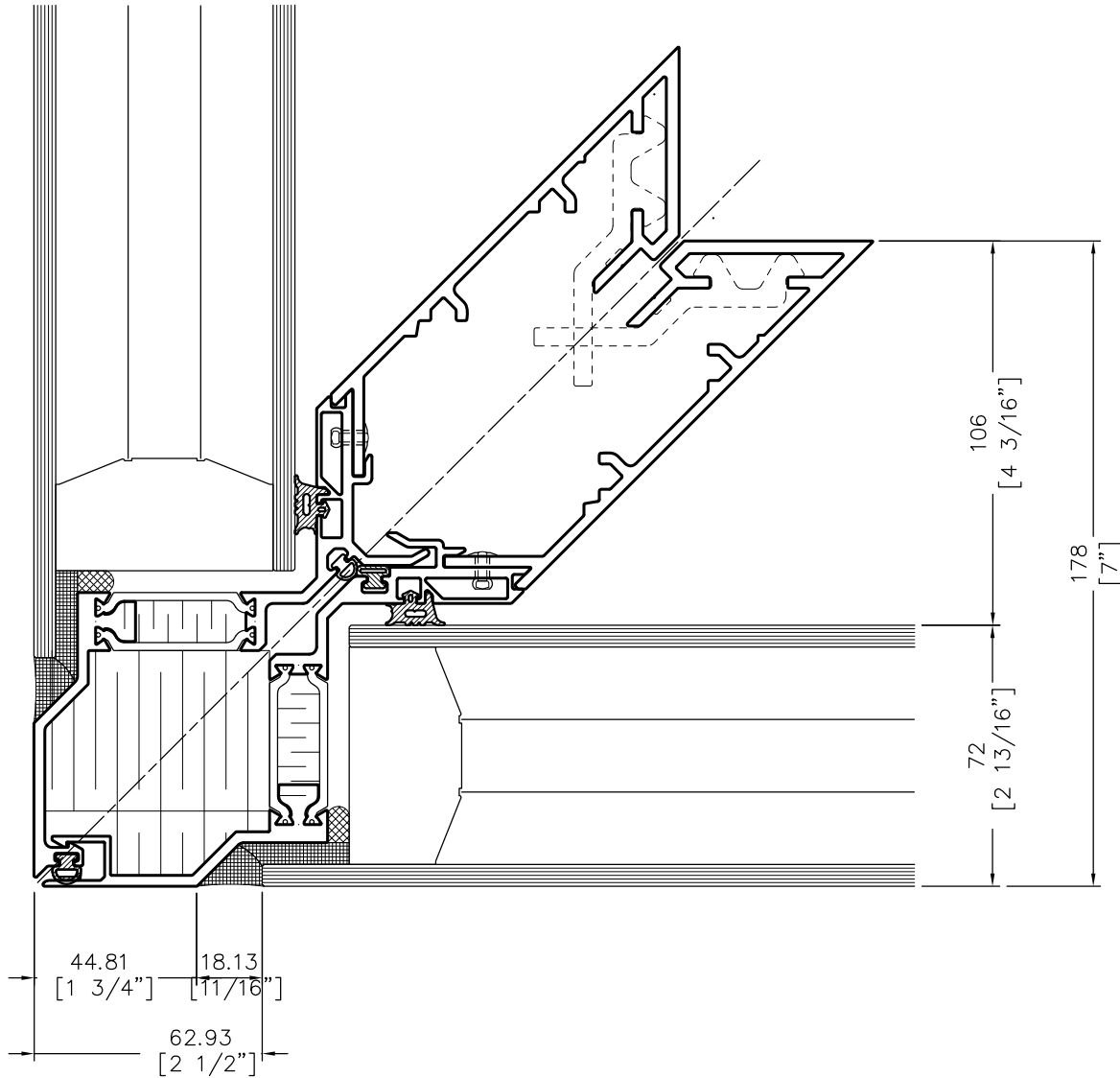
17915-118 Avenue  
Edmonton, Alberta  
Canada T5S 1L6  
tel / 780.451.4000  
fax / 780.451.4745  
visionwall.com

Series 404 Curtain Wall Detail  
4-Element | Capped Curtain Wall Glazing System  
Intermediate Rail, Spandrel Over Vision  
DWG / 4045C  
date / 2009  
scale / 1=2



17915-118 Avenue  
 Edmonton, Alberta  
 Canada T5S 1L6  
 tel / 780.451.4000  
 fax / 780.451.4745  
 visionwall.com

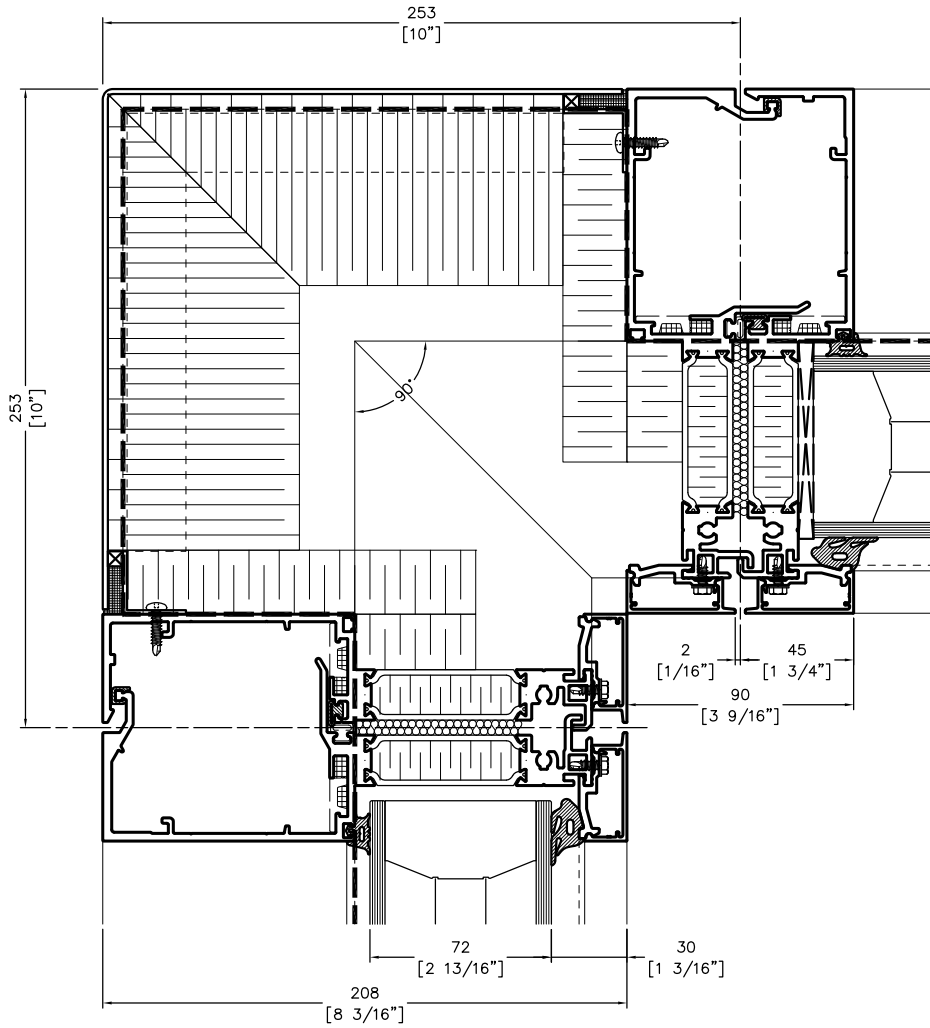
**Series 404 Curtain Wall Detail**  
 4-Element | Capped Curtain Wall Glazing System  
 Intermediate Rail, Vision Over Vision  
 DWG / 4046C  
 date / 2009  
 scale / 1=2



17915-118 Avenue  
 Edmonton, Alberta  
 Canada T5S 1L6  
 tel / 780.451.4000  
 fax / 780.451.4745  
 visionwall.com

**Series 404 Curtain Wall Detail**  
 4-Element | Capped Curtain Wall Glazing System  
 Outside Corner Detail  
 DWG / 4047C  
 date / 2009  
 scale / 1=2





17915-118 Avenue  
 Edmonton, Alberta  
 Canada T5S 1L6  
 tel / 780.451.4000  
 fax / 780.451.4745  
 visionwall.com

Series 404 Curtain Wall Detail  
 4-Element | Capped Curtain Wall Glazing System  
 Inside Corner Detail  
 DWG / 4048C  
 date / 2009  
 scale / 1=2

## Series 404 Curtain Wall Elevation

### 4-Element

Structural Siliconed Curtain Wall Glazing System

01 Key

## Series 404 Curtain Wall Detail

### 4-Element

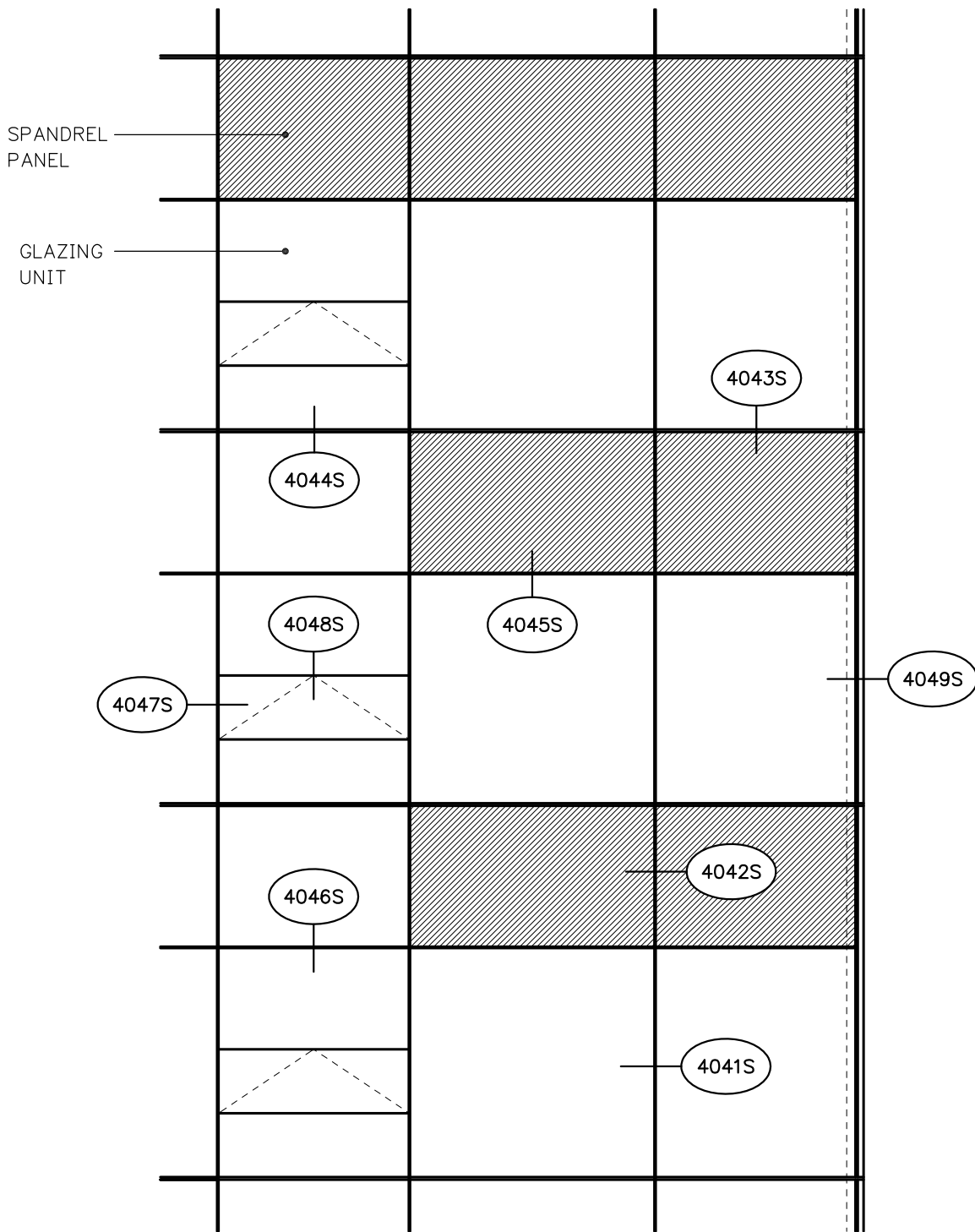
Structural Siliconed Curtain Wall Glazing System

02 Split Vertical Mullion At Vision  
03 Split Vertical Mullion At Spandrel  
04 Expansion Joint, Vision Over Spandrel  
05 Expansion Joint, Vision Over Vision  
06 Intermediate Rail, Spandrel Over Vision  
07 Intermediate Rail, Vision Over Vision  
08 Split Vertical With Sash, Outward  
Opening  
09 Intermediate Rail With Sash, Outward  
Opening  
10 Outside Corner Detail



VISIONWALL™

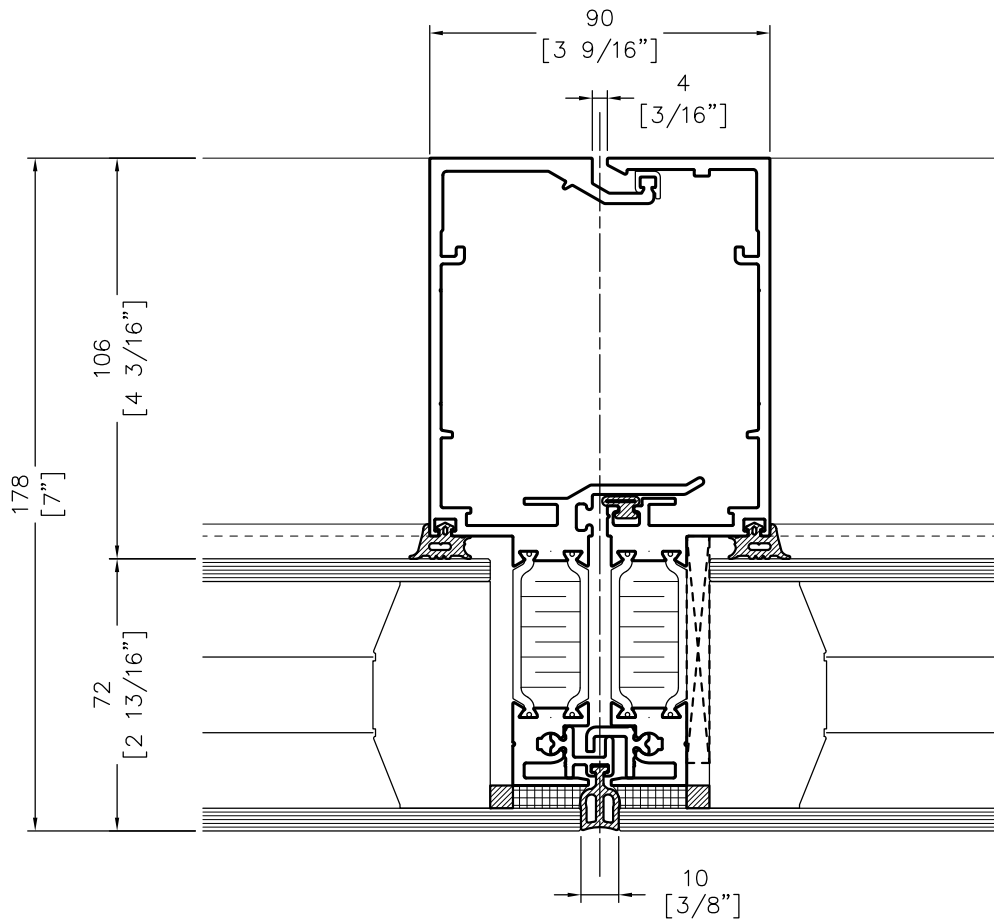
17915-118 Avenue  
Edmonton, Alberta  
Canada T5S 1L6  
tel / 780.451.4000  
fax / 780.451.4745  
visionwall.com



17915-118 Avenue  
 Edmonton, Alberta  
 Canada T5S 1L6  
 tel / 780.451.4000  
 fax / 780.451.4745  
 visionwall.com

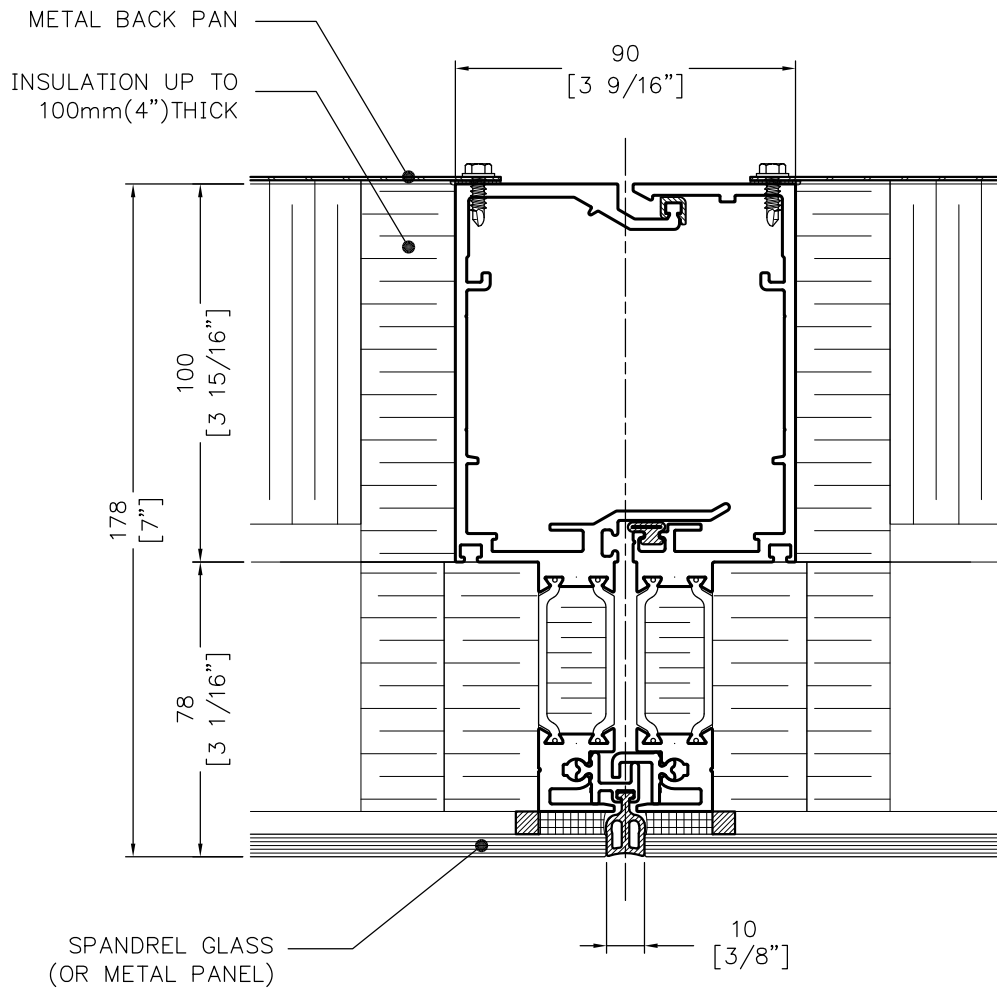
Series 404 Curtain Wall Elevation  
 4-Element | Structural Siliconed Curtain Wall Glazing System

Key  
 DWG / 4040S  
 date / 2009  
 scale / NTS



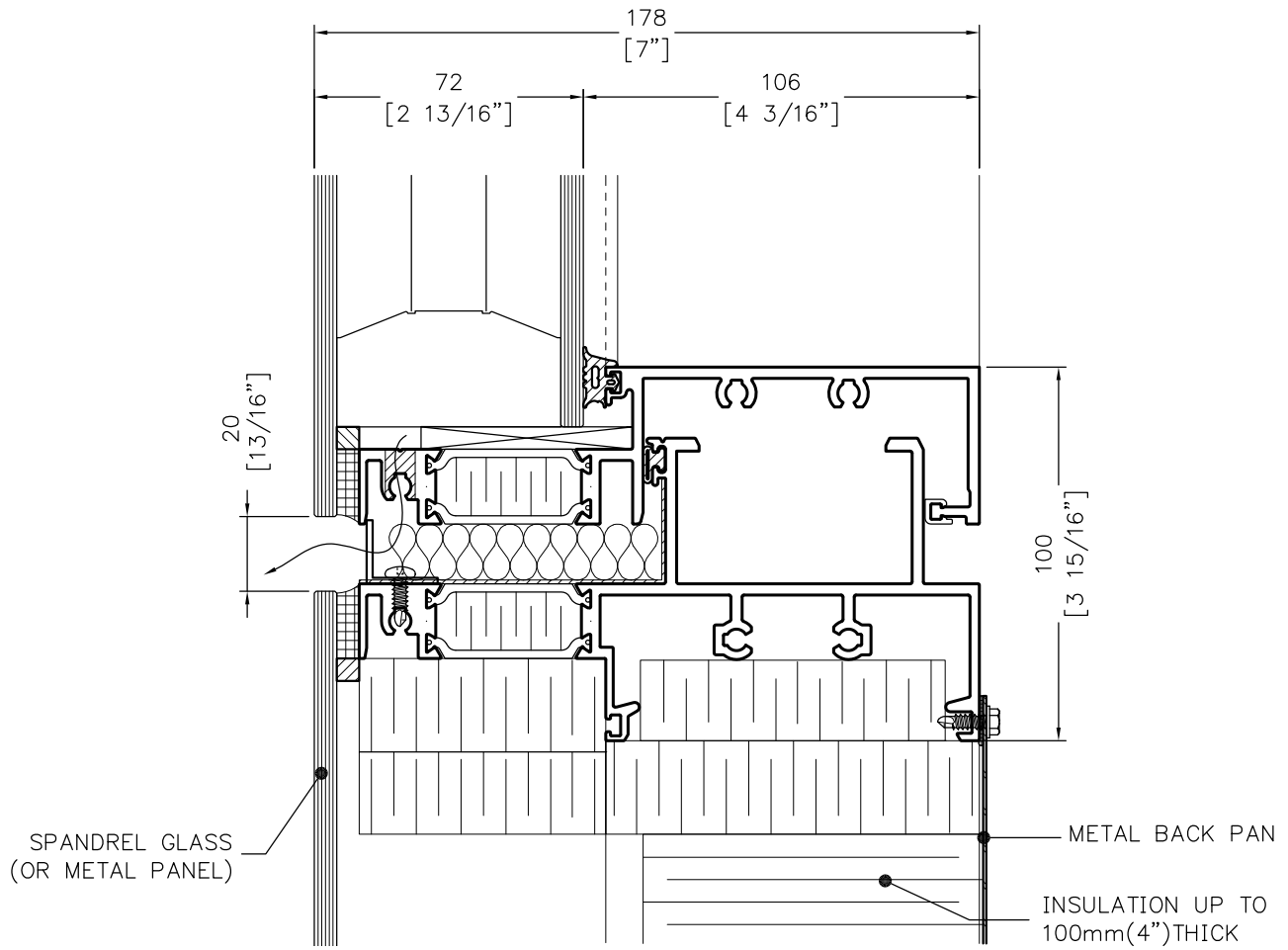
17915-118 Avenue  
 Edmonton, Alberta  
 Canada T5S 1L6  
 tel / 780.451.4000  
 fax / 780.451.4745  
 visionwall.com

**Series 404 Curtain Wall Detail**  
 4-Element | Structural Siliconed Curtain Wall Glazing System  
 Split Vertical Mullion At Vision  
 DWG / 4041S  
 date / 2009  
 scale / 1=2



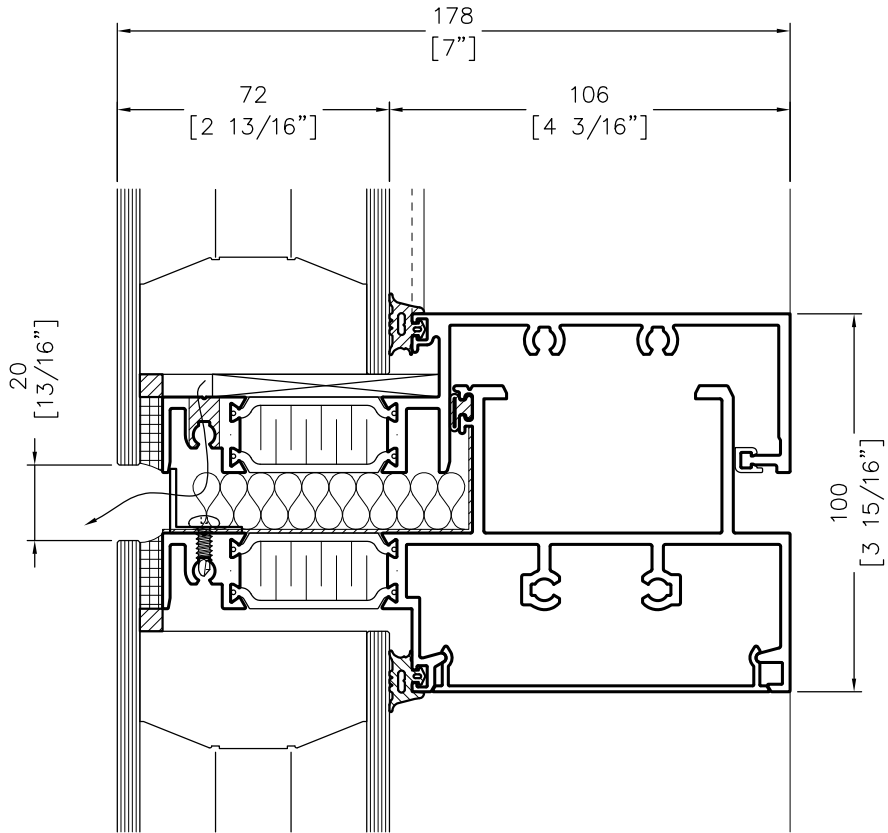
17915-118 Avenue  
 Edmonton, Alberta  
 Canada T5S 1L6  
 tel / 780.451.4000  
 fax / 780.451.4745  
 visionwall.com

**Series 404 Curtain Wall Detail**  
 4-Element | Structural Siliconed Curtain Wall Glazing System  
 Split Vertical Mullion At Spandrel  
 DWG / 4042S  
 date / 2009  
 scale / 1=2



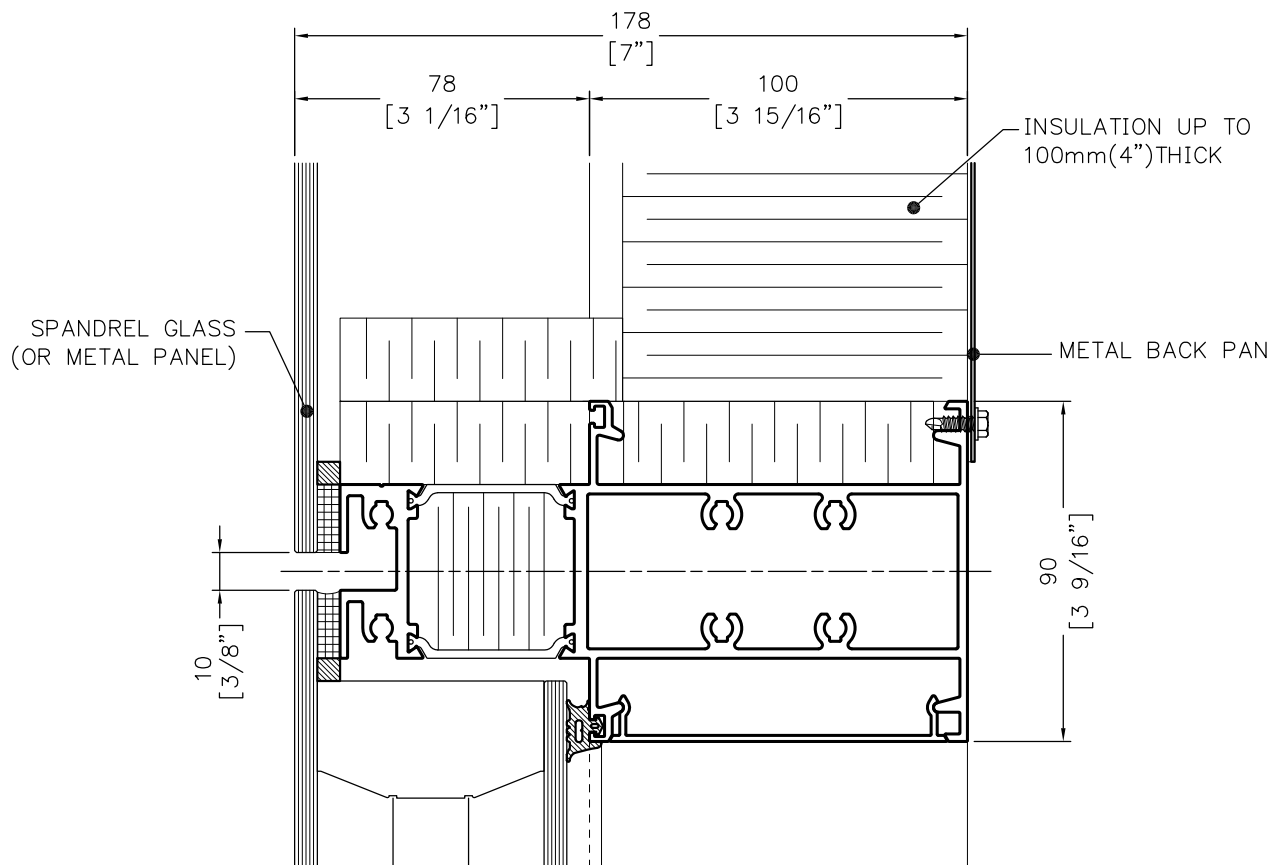
17915-118 Avenue  
Edmonton, Alberta  
Canada T5S 1L6  
tel / 780.451.4000  
fax / 780.451.4745  
visionwall.com

**Series 404 Curtain Wall Detail**  
4-Element | Structural Siliconed Curtain Wall Glazing System  
Expansion Joint, Vision Over Spandrel  
DWG / 4043S  
date / 2009  
scale / 1=2

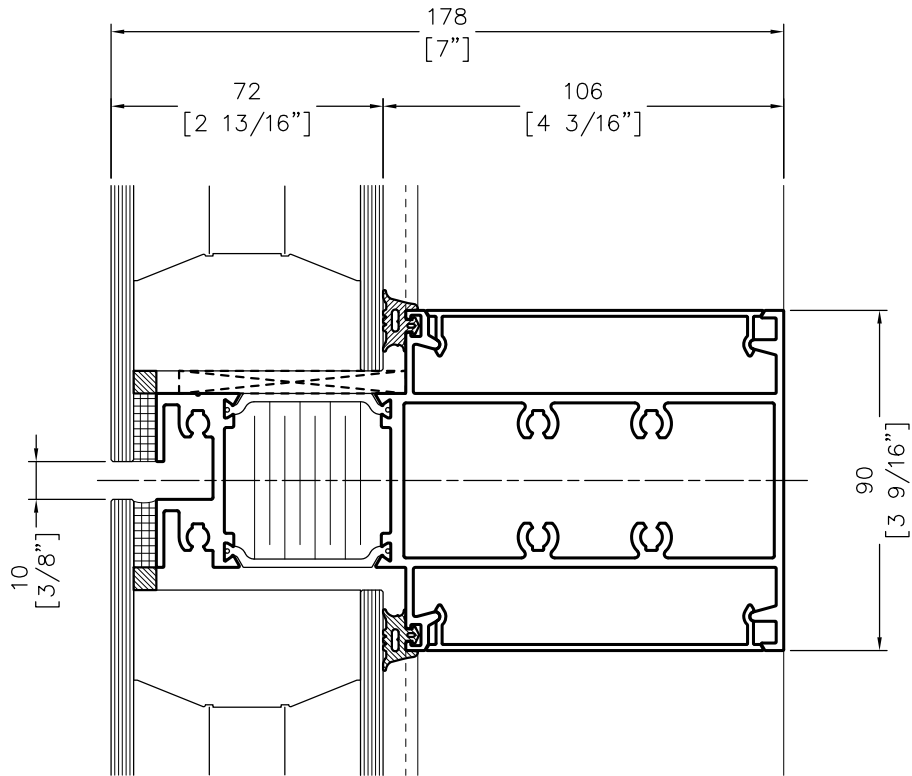


17915-118 Avenue  
 Edmonton, Alberta  
 Canada T5S 1L6  
 tel / 780.451.4000  
 fax / 780.451.4745  
 visionwall.com

**Series 404 Curtain Wall Detail**  
 4-Element | Structural Siliconed Curtain Wall Glazing System  
 Expansion Joint, Vision Over Vision  
 DWG / 4044S  
 date / 2009  
 scale / 1=2

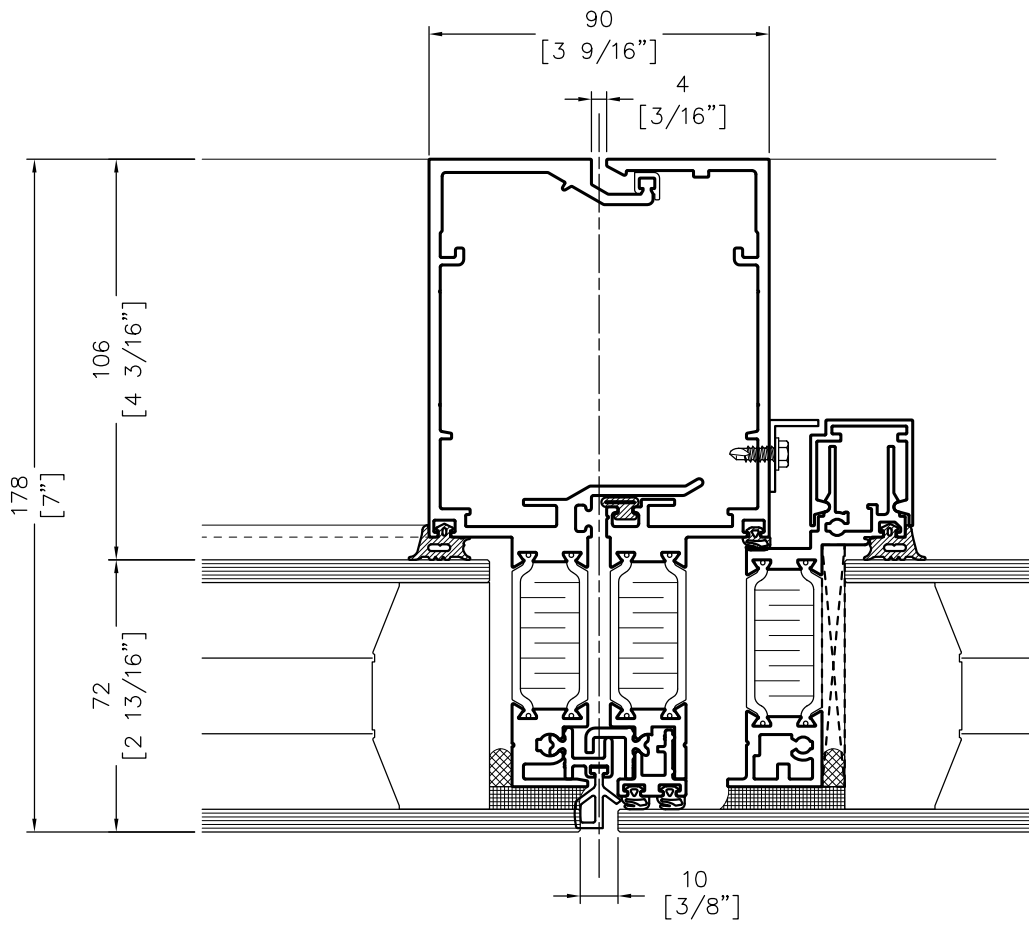






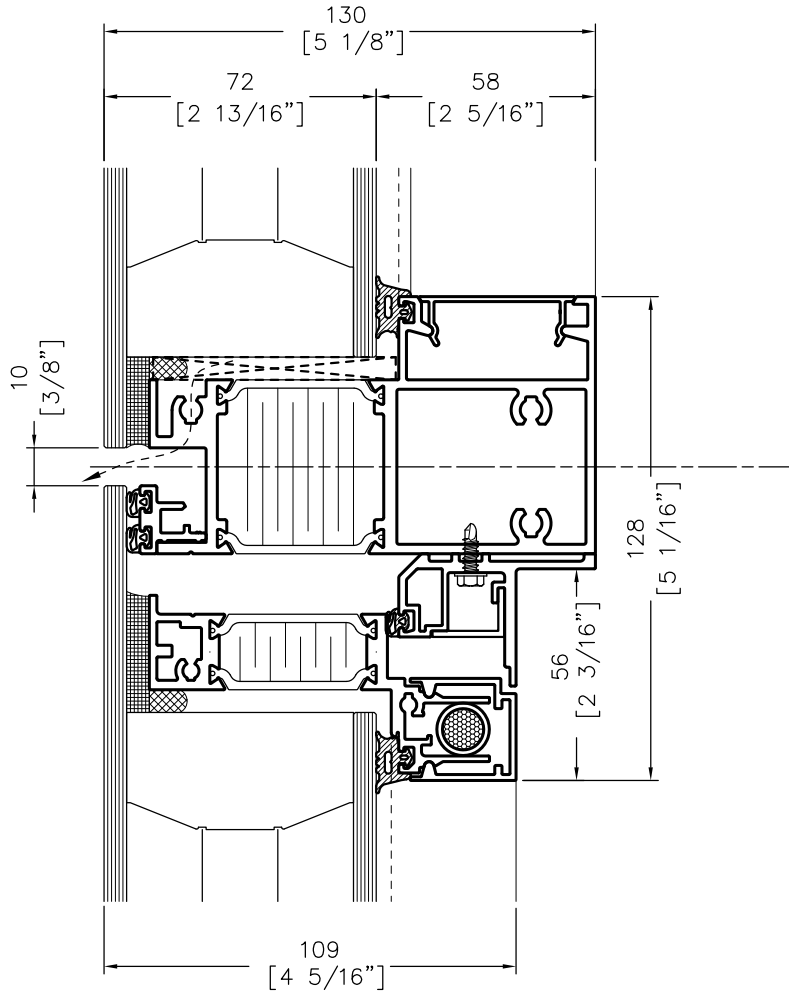
17915-118 Avenue  
 Edmonton, Alberta  
 Canada T5S 1L6  
 tel / 780.451.4000  
 fax / 780.451.4745  
 visionwall.com

**Series 404 Curtain Wall Detail**  
 4-Element | Structural Siliconed Curtain Wall Glazing System  
 Intermediate Rail, Vision Over Vision  
 DWG / 4046S  
 date / 2009  
 scale / 1=2



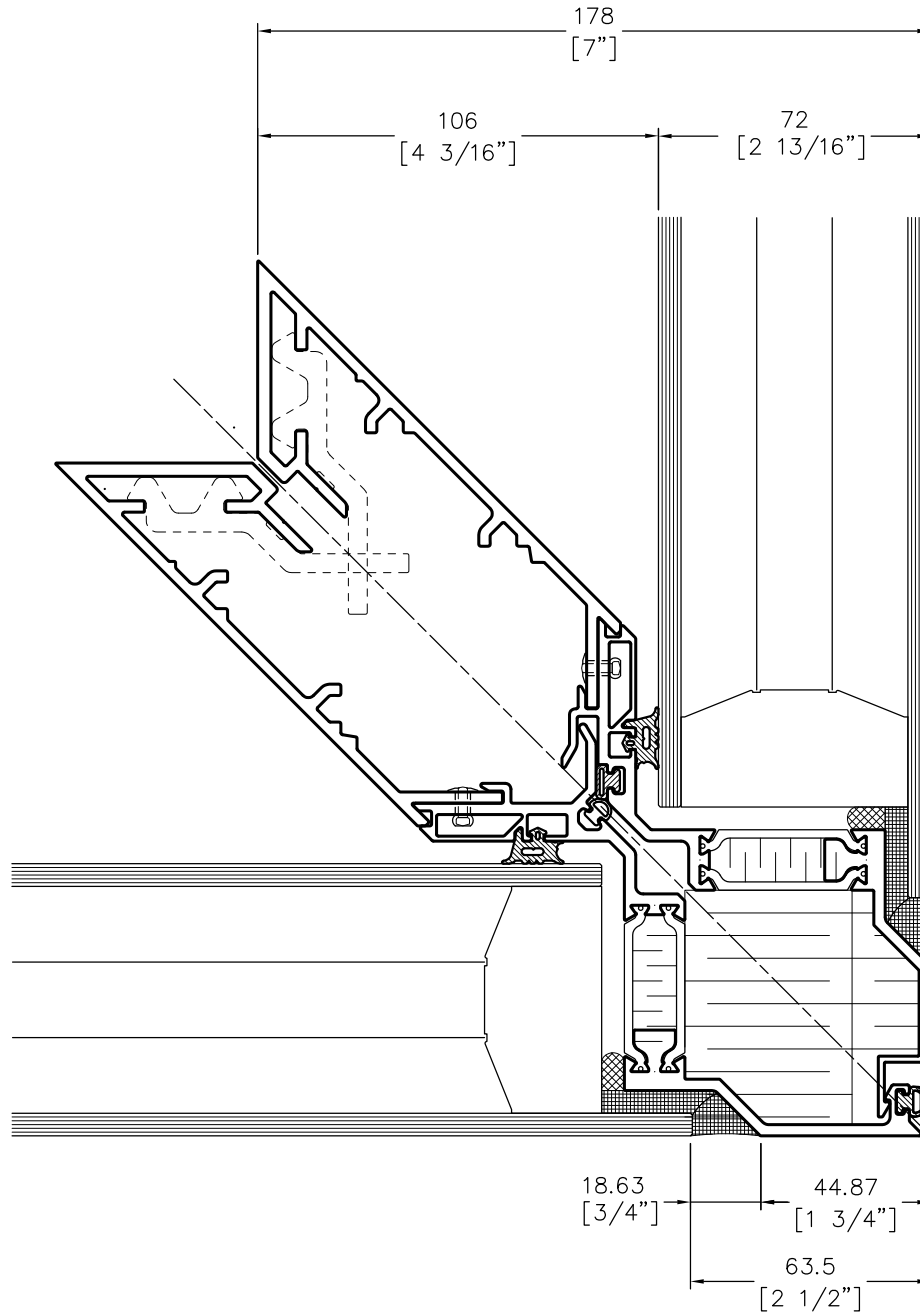
17915-118 Avenue  
 Edmonton, Alberta  
 Canada T5S 1L6  
 tel / 780.451.4000  
 fax / 780.451.4745  
 visionwall.com

**Series 404 Curtain Wall Detail**  
 3-Element | Structural Siliconed Curtain Wall Glazing System  
 Split Vertical With Sash, Outward Opening  
 DWG / 4047S  
 date / 2009  
 scale / 1=2



17915-118 Avenue  
 Edmonton, Alberta  
 Canada T5S 1L6  
 tel / 780.451.4000  
 fax / 780.451.4745  
 visionwall.com

**Series 404 Curtain Wall Detail**  
 4-Element | Structural Siliconed Curtain Wall Glazing System  
 Intermediate Rail With Sash, Outward Opening  
 DWG / 4048S  
 date / 2009  
 scale / 1=2



17915-118 Avenue  
 Edmonton, Alberta  
 Canada T5S 1L6  
 tel / 780.451.4000  
 fax / 780.451.4745  
 visionwall.com

**Series 404 Curtain Wall Detail**  
 4-Element | Structural Siliconed Curtain Wall Glazing System  
 Outside Corner Detail  
 DWG / 4049S  
 date / 2009  
 scale / 1=2